



Accessories & Modifications Manual

Cushman[®] Turf Truckster[®]

- 84063 – Kubota[®] D1105-E3B Diesel Engine, MT
- 84064 – Kubota[®] D1105-E3B Diesel Engine, MT, EC
- 84067 – Suzuki[®] K6 Gas Engine, MT
- 84068 – Suzuki[®] K6 Gas Engine, AT
- 84069 – Suzuki[®] K6 Gas Engine, RV and Utility

Cushman[®] Haulster[™]

- 84065 – Kubota[®] D1105-E3B Diesel Engine, MT
- 84070 – Suzuki[®] K6 Gas Engine, MT
- 84071 – Suzuki[®] K6 Gas Engine, AT
- 84072 – Suzuki[®] K6 Gas Engine, RV and Utility

Cushman[®] Spraytek[™]

- 84062 – DS-300, Kubota[®] D1105-E3B Diesel Engine, MT
- 84066 – DS-175, Suzuki[®] K6 Gas Engine, MT

WARNING

If incorrectly used, this machine can cause severe injury. Those who use and maintain this machine should be trained in its proper use, warned of its dangers and should read the entire manual before attempting to set up, operate, adjust, or service the machine.



When Performance Matters.™

FOREWORD

This manual contains parts list for Cushman Accessories and Modifications for your Cushman® vehicle. This manual should be stored with the equipment for reference during operation.

If additional information is needed contact your Cushman Dealer.

Before you operate your machine, you and each operator you employ should read the manual carefully in its entirety. By following the safety, operating and maintenance instructions you will prolong the life of your equipment and maintain its maximum efficiency.

Suggested Stocking Guide

To Keep your equipment fully operational and productive, Jacobsen suggests you maintain a stock of the more commonly used maintenance items. We have also included part numbers for additional support materials and training aids.

To order any of the following material:

1. Write your full name and complete address on your order form.

2. Explain where and how to make shipment:

UPS

Regular Mail

Overnight

2nd Day

3. Order by the quantity desired, the part number, and the description of the part.

4. Send or bring the order to your authorized Jacobsen Dealer.

Service Parts

Qty.	Part No.	Description	Qty.	Part No.	Description
	4113986	Diesel Engine Oil Filter		2701908	Gas Engine Oil Filter
	550489	Diesel Engine Fuel Filter Element		2701898	Gas Engine Fuel Filter
	4175560	Diesel Alternator-Power Steering Belt		4139265	Gas Alternator-Power Steering Belt
	4117092	Diesel Hydraulic Pump Belt		4139351	Gas Governor-Hydraulic Pump Belt
	5000919	Diesel Engine Air Filter Element		840352	Gas Engine Air Filter Element
				885249	Hydraulic Filter Element

Accessories and Mods

Accessories are options that are installed after the vehicle has left the factory. They are Dealer or Customer installed options.

Mods are options that are ordered and installed on the vehicle before it leaves the factory.

© Copyright 2011, Jacobsen, A Textron Company. "All rights reserved, including the right to reproduce this material or portions thereof in any form."

Proposition 65 Warning

This product contains or emits chemicals known to State of California to cause cancer and birth defects or other reproductive harm.

Table of Contents

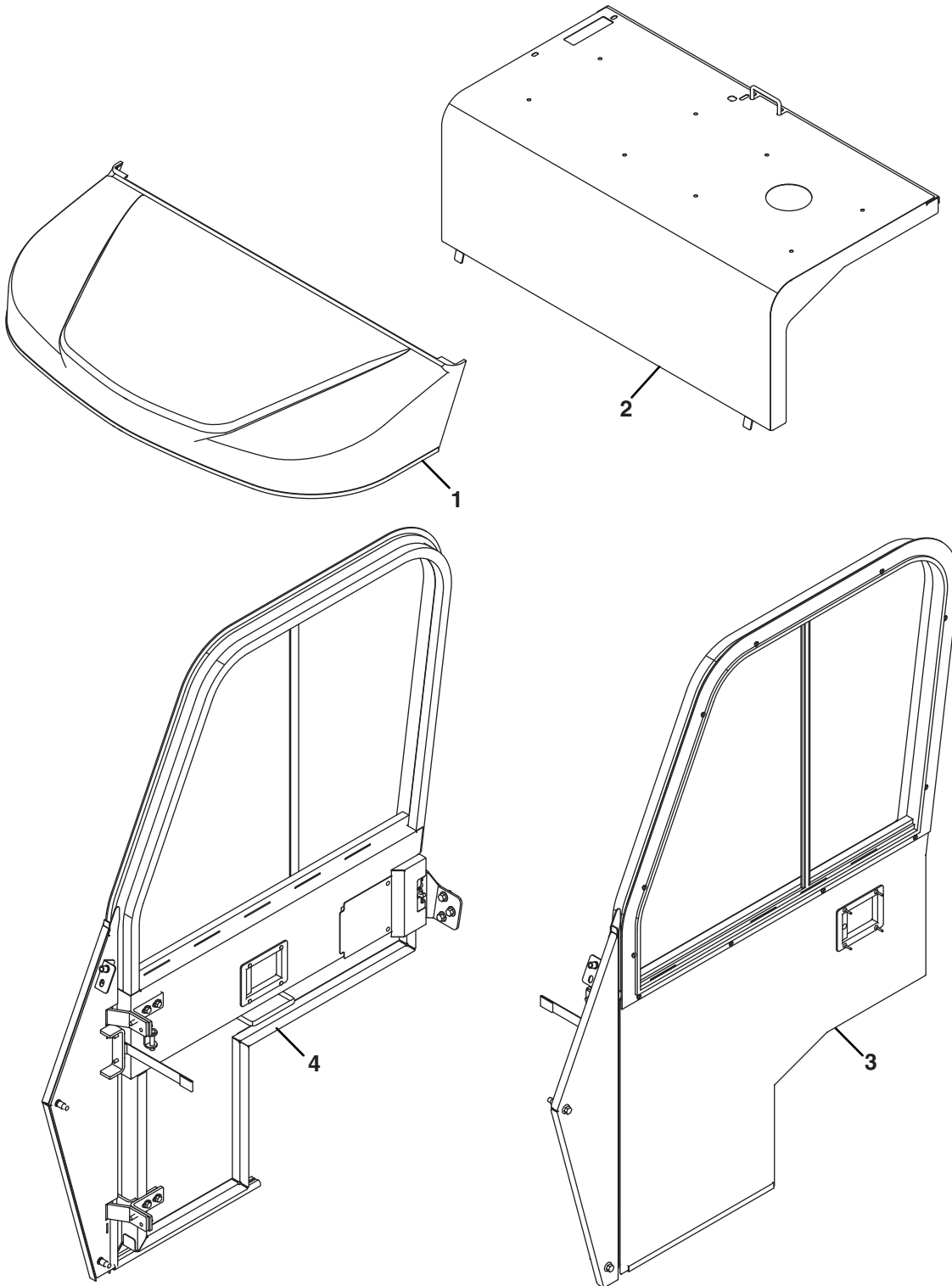
1.1	Custom Colors	4	25.1	Rear Window	44
2.1	Front Bumper	6	26.1	Steel Door	46
3.1	Rear Bumper	7	27.1	Heater and Defroster Accessory	48
4.1	Tow Hitch	8	28.1	Mechanical PTO Accessory	50
5.1	Pintle Hitch	9	29.1	Hydraulic PTO	52
6.1	Receiver Style Hitch	10	30.1	Gas Hi-Lo Hydraulics Kit	54
7.1	Flat Bar Style Hitch	11	31.1	Diesel Hi-Lo Hydraulics Kit	56
2.1	5th Wheel Hitch	12	32.1	Core Harvester	58
3.1	Brake Controller and Harness	14	33.1	Main Frame	60
4.1	Box Sides and Tailgate	16	34.1	Elevator	62
5.1	47 Inch Flatbed	17	35.1	Chain Assembly	64
6.1	47 Inch Box Sides	18	36.1	Conveyor Mount	66
7.1	Box Liner - 47 Inch	20	37.1	Conveyor	68
8.1	60 Inch Flatbed	21	38.1	Push Tube and Windrow Blade	70
9.1	60 Inch Box Sides	22	39.1	Caster Pivot and Air Shock	72
10.1	60 Inch Box Sides (Continued)	24	40.1	Hydraulic Connections	74
11.1	Poly Dump Box	26	41.1	Core Harvester Conversion Kit	76
12.1	Axle Truss Kit	28	42.1	Core Harvester Mounting Kit	77
13.1	Spare Tire	29	43.1	Top Dresser Accessory	78
14.1	Shock Absorber Accessory	30	44.1	Frame Assembly	80
15.1	Speedometer Panel Accessory	31	45.1	Belt Drive	82
16.1	Spark Arrester	32	46.1	Brush Drive	84
17.1	Back-up Alarm	33	47.1	Hopper Assembly	86
18.1	Accessory Harness and Ram Mount	34	48.1	Metering Gate	88
19.1	Outside Mirrors	36	49.1	Vicon Spreader	90
20.1	Dome Light	37	50.1	Vicon PTO Drive Kit	92
21.1	Turn Signal Accessory	38	51.1	Vicon Spreader Hydraulic Drive Kit	94
22.1	Cab	40	52.1	Spraytek Accessories	96
23.1	Upper ROPS	41	53.1	Additional Truckster Accessories	97
24.1	Windshield with Wiper	42			

ACCESSORIES & MODIFICATIONS

1.1 Custom Colors

Models Accessory will fit

- Haulster Gas
- Haulster Diesel
- Truckster Gas
- Truckster Diesel



ACCESSORIES & MODIFICATIONS

Item	Description	Orange	Yellow	Hunter Green	Ransomes Green	White	Red
	Truckster Factory Mod	Standard Color	53787	N/A	53773	53786	N/A
	Haulster Factory Mod	● 53784	Standard Color	4178380	● 53784	53781	53783
1	• Engine Cover	893375.6	893375.14	893375.22	893375.2	893375.10	893375.17
2	• Hood	4249610	4249612	●4249613	●4249613	●4249613	●4249613
	Steel Side Doors Factory Mod	53603	53753	53765	53602	53607	53609
3	• Left Side Door Dealer Installed	2701303	894784	4179944	894755	4179940	4179942
	• • Left Door	894797.6	894797.14	894797.22	894797.2	894797.10	894797.17
4	• Right Side Door Dealer Installed	2701304	894783	4179945	894756	4179941	4179943
	• • Right Door	894798.6	894798.14	894798.22	894798.2	894798.10	894798.17
●	Specify Color when ordering.						

> Change from previous

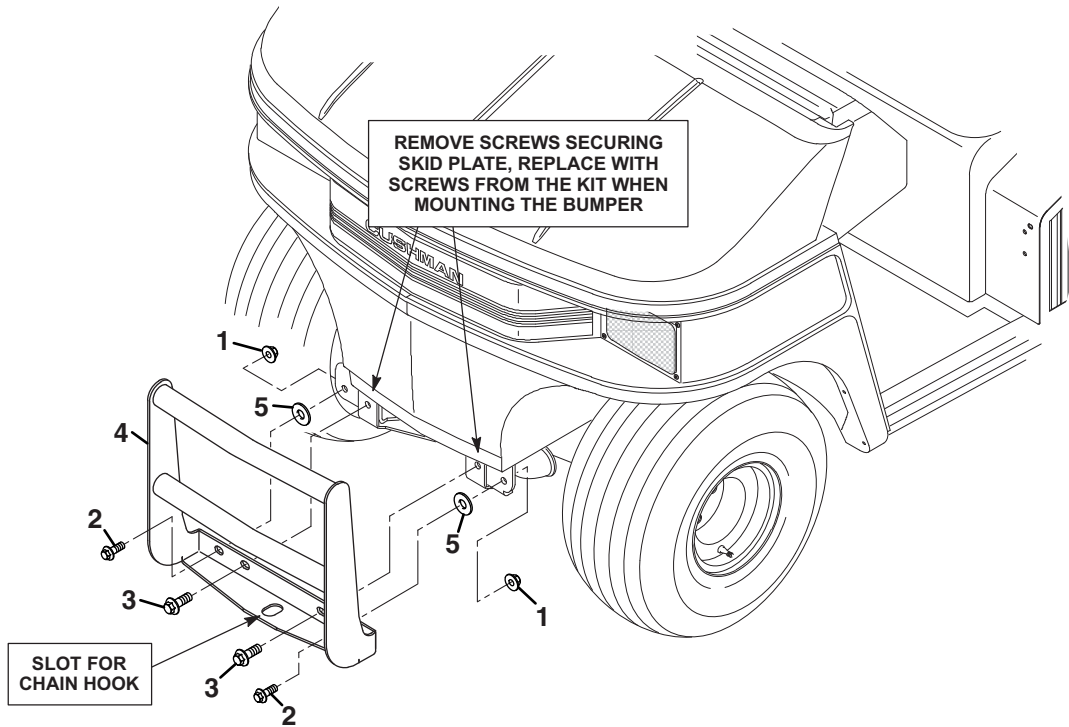
ACCESSORIES & MODIFICATIONS

2.1 Front Bumper

Part No. 894778

Models Accessory will fit

- Haulster Gas ■ Truckster Gas
- Haulster Diesel ■ Truckster Diesel



Item	Part No.	Qty.	Description	Serial Numbers/Notes
1	450454	2	Nut, M10-1.5 Hex Flange	
2	452399	2	Screw, M10-1.5 x 25 mm Hex Flange	
3	452410	2	Screw, M12-1.75 x 30 mm Hex Flange	
4	894878G01	1	Front Bumper	
5	809180	2	Flat Washer	

> Change from previous revision

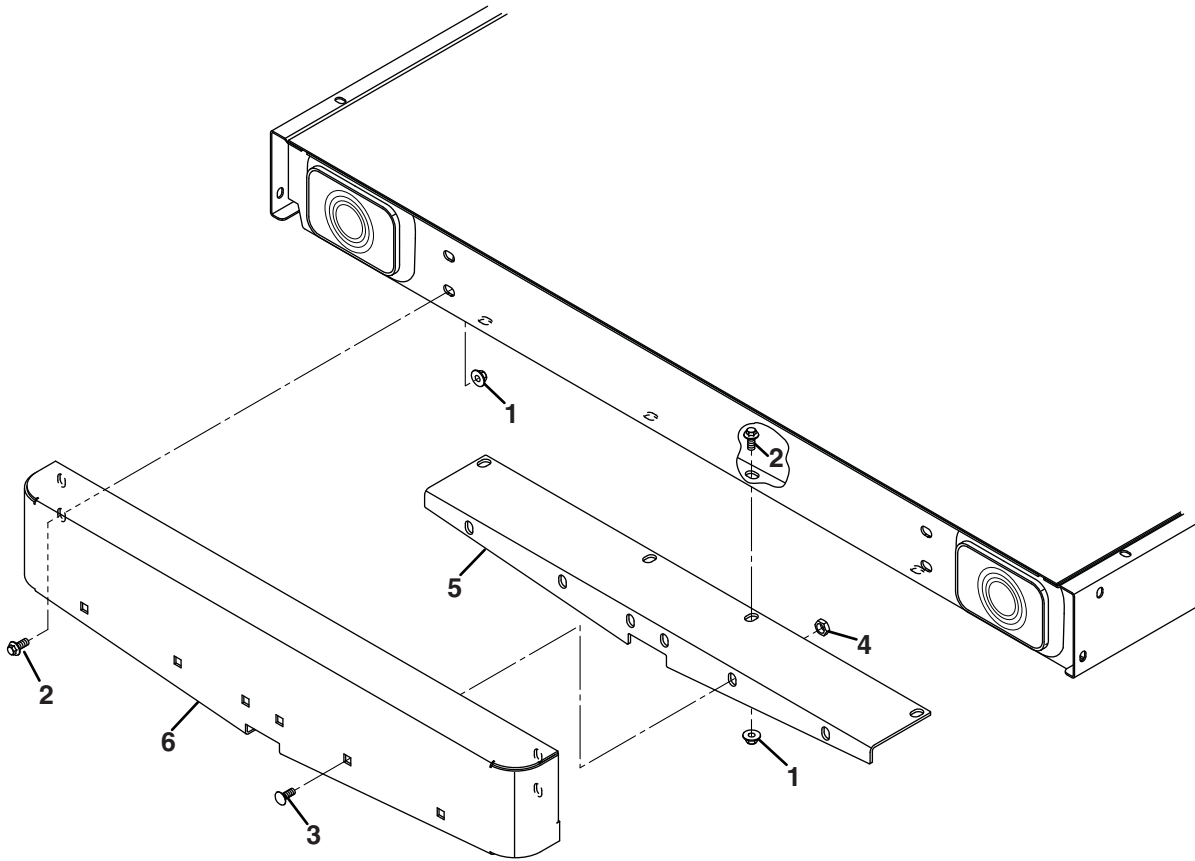
ACCESSORIES & MODIFICATIONS

3.1 Rear Bumper

Part No. 894779

Models Accessory will fit

- Haulster Gas □ Truckster Gas
- Haulster Diesel □ Truckster Diesel



Item	Part No.	Qty.	Description	Serial Numbers/Notes
1	450454	8	Nut, M10-1.5 Hex Flange	
2	452399	8	Screw, M10-1.5 x 25 mm	
3	800236	6	Carriage Bolt, 3/8-16 x 3/4"	
4	800698	6	Nut, 3/8-16 Crownlock	
5	844921	1	Rear Bumper Brace	
6	844922	1	Rear Bumper	

> Change from previous revision

ACCESSORIES & MODIFICATIONS

4.1 Tow Hitch

Part No. 894780 (Requires Rear Bumper 894779)

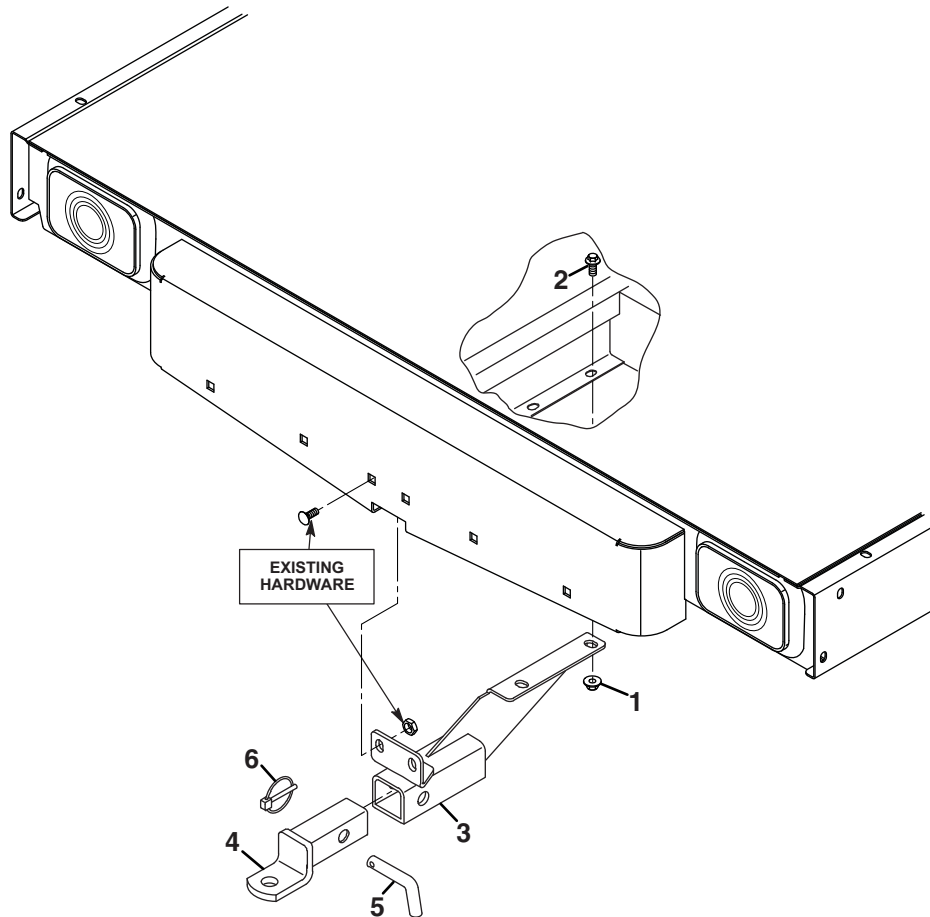
Models Accessory will fit

■ Haulster Gas

□ Truckster Gas

■ Haulster Diesel

□ Truckster Diesel



Item	Part No.	Qty.	Description	Serial Numbers/Notes
1	450454	8	Nut, M10-1.5 Hex Flange	
2	452399	8	Screw, M10-1.5 x 25 mm	
3	894865G01	1	Hitch Receiver	
4	182419G01	1	Tow Hitch	
5	181492	1	Pin, Hitch	
6	181493	1	Pin, Click	

> Change from previous revision

ACCESSORIES & MODIFICATIONS

5.1 Pintle Hitch

Part No. 2703513 (Requires Rear Bumper 894779)

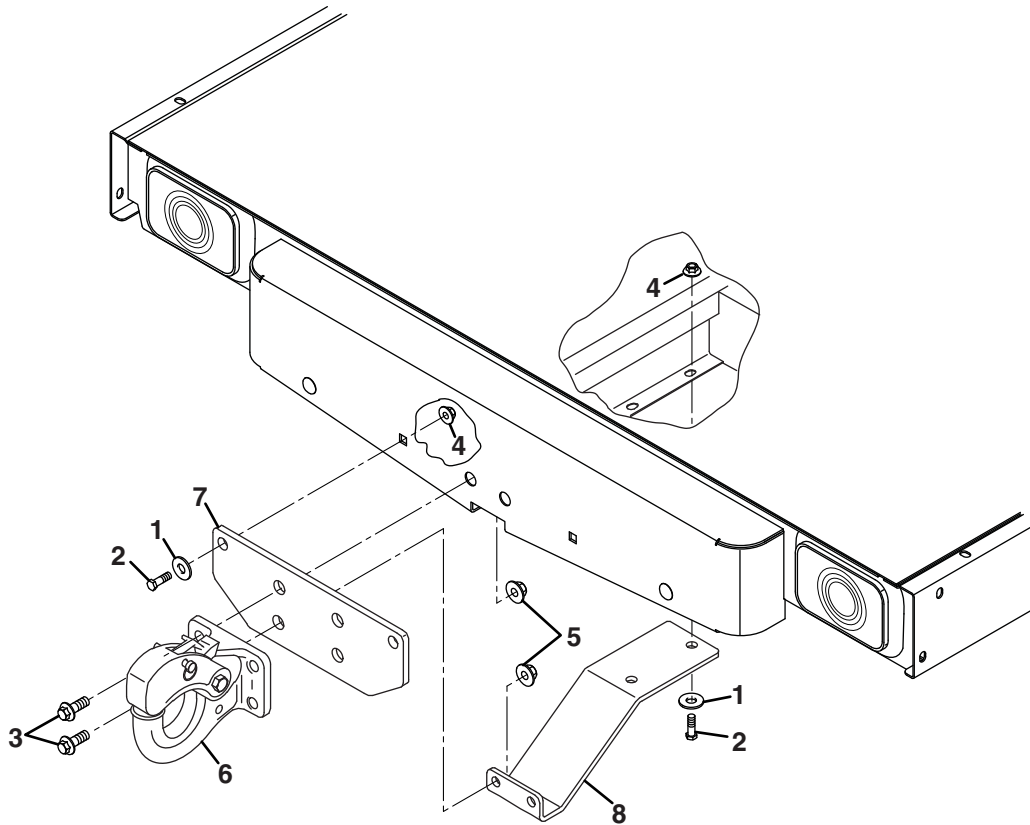
Models Accessory will fit

■ Haulster Gas

□ Truckster Gas

■ Haulster Diesel

□ Truckster Diesel



Item	Part No.	Qty.	Description	Serial Numbers/Notes
1	306405	4	Flat Washer, 3/8	
2	310896	4	Screw, 3/8-16 x 1-1/8" Hex Head	
3	311401	4	Screw, 1/2-13 x 1-1/2" Hex Flange	
4	548804	4	Nut, 3/8-16 Hex Flange	
5	800379	4	Nut, 1/2-13 Hex Flange	
6	825153	1	Pintle Hook	
7	2703395.7	1	Plate, Pintle Mounting	
8	2703396.7	1	Support, Pintle Hitch	

> Change from previous revision

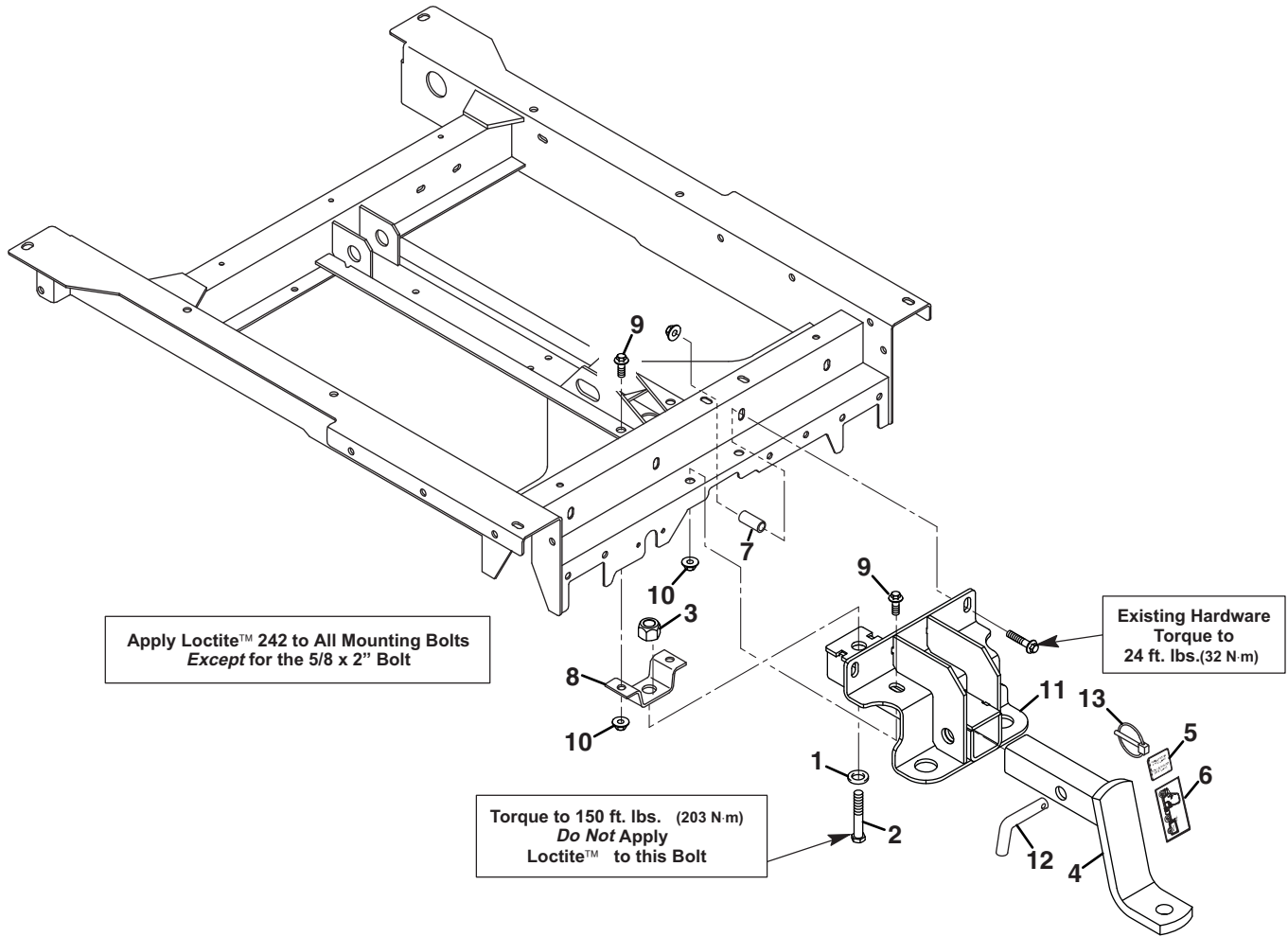
ACCESSORIES & MODIFICATIONS

6.1 Receiver Style Hitch

Part No. 4114386

Models Accessory will fit

- | | |
|--|--|
| <input type="checkbox"/> Haulster Gas | <input checked="" type="checkbox"/> Truckster Gas |
| <input type="checkbox"/> Haulster Diesel | <input checked="" type="checkbox"/> Truckster Diesel |



Item	Part No.	Qty.	Description	Serial Numbers/Notes
1	309488	1	Flat Washer	
2	400624	1	Screw, 5/8-11 x 3" Hex Head	
3	800603	1	Nut, 5/8-11 Hex	
4	4114481	1	Drawbar Assembly	Includes Decal Item 5
4	4114483	1	Drawbar Assembly EC	Includes Decal Item 6
5	2703960	1	Decal, Hitch Capacity	
6	2703961	1	Decal, EC Hitch Capacity	
7	4110600.7	2	Collar	
8	2703852.7	1	Bracket, Drawbar	
9	452410	4	Screw, M12-1.75 x 30 mm Hex Flange	
10	450455	4	Nut, M12-1.75 Hex Flange	
11	2703973.7	1	Receiver, Hitch	
12	181492	1	Pin, Bent Hitch	
13	181493	1	Pin, Click	

> Change from previous revision

ACCESSORIES & MODIFICATIONS

7.1 Flat Bar Style Hitch

Part No. 4114566

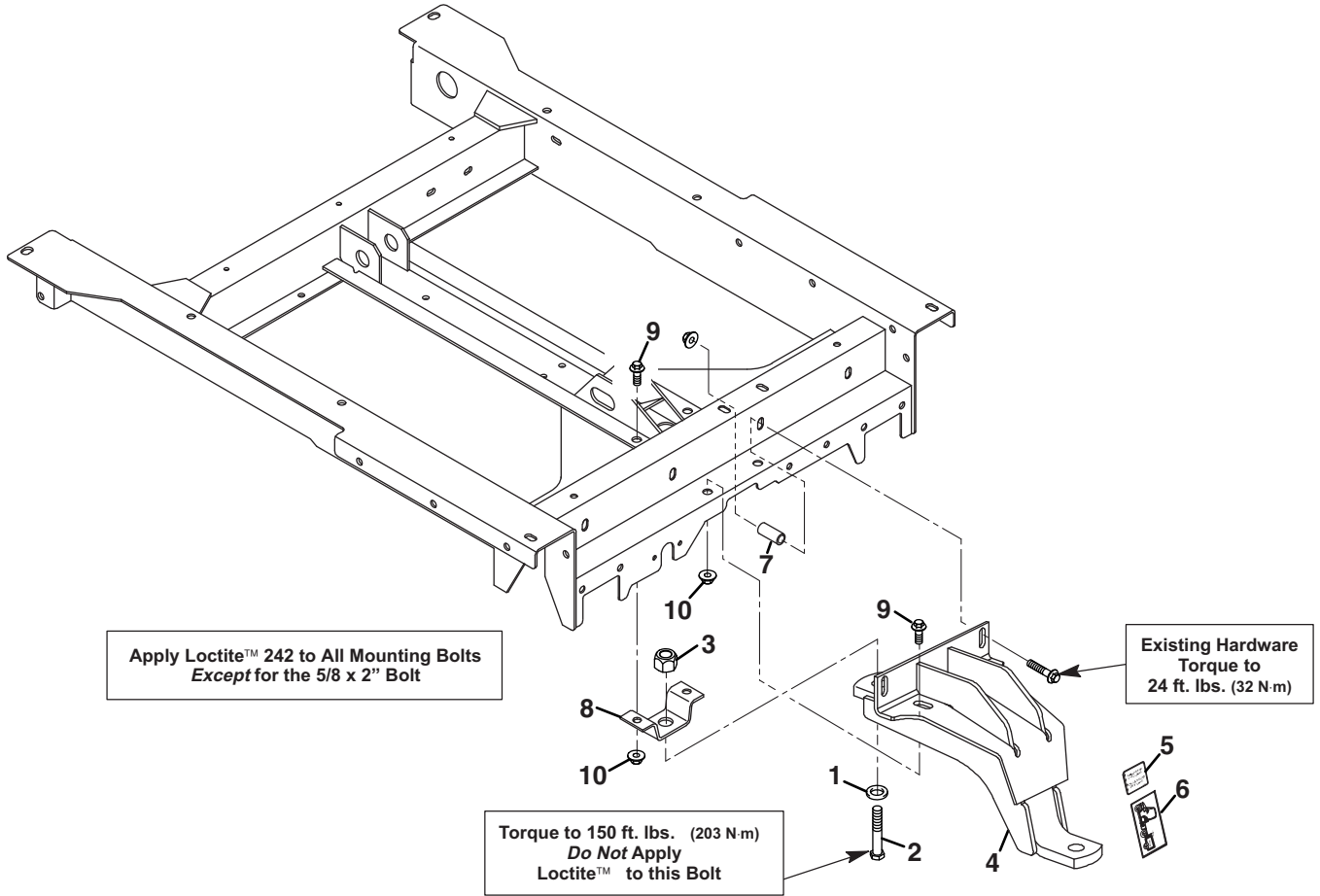
Models Accessory will fit

Haulster Gas

Truckster Gas

Haulster Diesel

Truckster Diesel



Item	Part No.	Qty.	Description	Serial Numbers/Notes
1	309488	1	Washer	
2	400616	1	Screw, 5/8-11 x 2" Hex Head	
3	800603	1	Nut, 5/8-11 Hex	
4	4109860	1	Drawbar Assembly	Includes Decal Item 5
4	4110640	1	Drawbar Assembly	Includes Decal Item 6
5	2703960	1	Decal, Hitch Capacity	
6	2703961	1	Decal, EC Hitch Capacity	
7	4110600.7	2	Collar	
8	2703852.7	1	Bracket, Drawbar	
9	452410	4	Screw, M12-1.75 x 30 mm Hex Flange	
10	450455	4	Nut, M12-1.75 Hex Flange	

> Change from previous revision

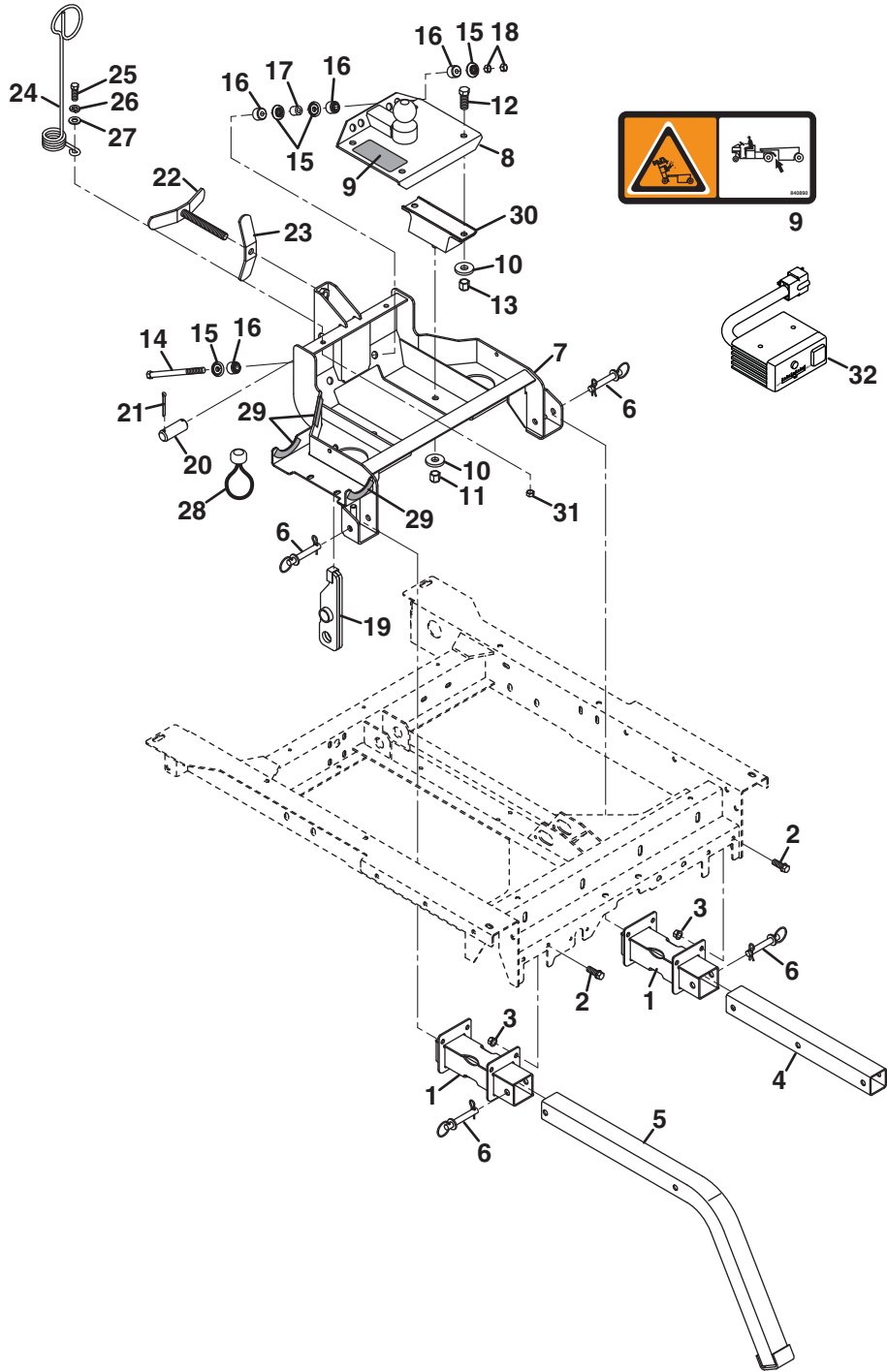
ACCESSORIES & MODIFICATIONS

2.1 5th Wheel Hitch

Part No. 894690

Models Accessory will fit

- | | |
|--|--|
| <input type="checkbox"/> Haulster Gas | <input checked="" type="checkbox"/> Truckster Gas |
| <input type="checkbox"/> Haulster Diesel | <input checked="" type="checkbox"/> Truckster Diesel |



ACCESSORIES & MODIFICATIONS

Item	Part No.	Qty.	Description	Serial Numbers/Notes
1	894473	2	Bracket, Receiver	
2	452399	8	Screw, M10-1.5 x 25 mm Hex Flange	
3	450454	8	Nut, M10-1.5 Hex Flange	
4	869030	1	Tube, Mounting	
5	897056	1	Tube, Stabilizer	
6	882770	4	Pin, Hitch	Includes Hair Pin
7	894651	1	Frame, 5th Wheel Hitch	
8	891027	1	Plate, Ball Mount	
9	840890	1	• Decal, Safety	
10	830287	6	Washer, Special	
11	800511	2	Nut, 1/2-20 Hex Stop	
12	400406	4	Screw, 1/2-13 x 1-1/4" Hex Head	
13	445771	4	Nut, 1/2-13 Hex Stop	
14	400282	2	Screw, 3/8-16 x 4-1/2" Hex Head	
15	810758	8	Retainer	
16	810157	8	Bushing, Rubber	
17	522553	2	Spacer	
18	443110	4	Nut, 3/8-16 Hex	
19	889124	1	Arm, Pivot	
20	835071	1	Pin, Pivot Arm	
21	460054	2	Cotter Pin, 3/16 x 1-3/4"	
22	889122	1	Screw, 5/8-11 Wing	
23	522375	1	Lever, Locking	
24	521905	1	Support, Hose	
25	400262	1	Screw, 3/8-16 x 1" Hex Head	
26	446140	1	Lockwasher, 3/8	
27	453011	1	Flat Washer, 3/8	
28	889991	1	Retainer, Elastic	Secures lift cylinder to hitch frame.
29	812893	AR	Trim	12 Foot Legth. Cut to size.
30	819160	2	Mount, Rubber Shear	
31	444762	1	Locknut, 3/8-16 Hex Center	
32	REF	1	Brake Controller and Harness	

> Change from previous

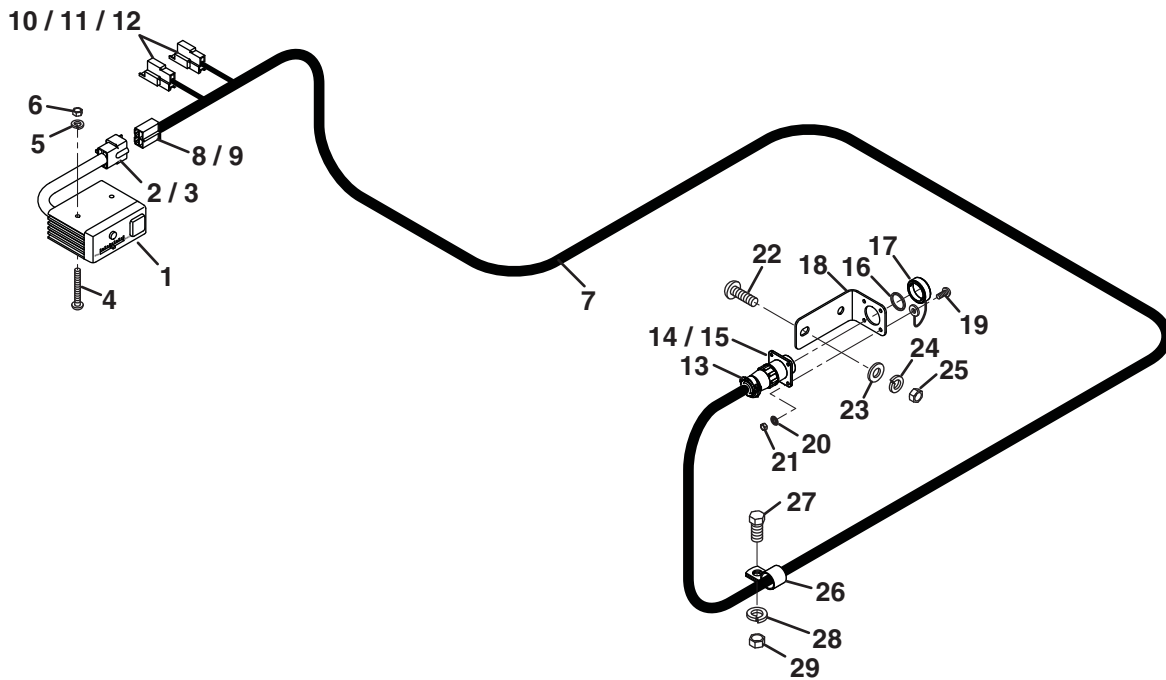
ACCESSORIES & MODIFICATIONS

3.1 Brake Controller and Harness

Part of 5th Wheel Hitch, Part No. 894690

Models Accessory will fit

- | | |
|--|--|
| <input type="checkbox"/> Haulster Gas | <input checked="" type="checkbox"/> Truckster Gas |
| <input type="checkbox"/> Haulster Diesel | <input checked="" type="checkbox"/> Truckster Diesel |



ACCESSORIES & MODIFICATIONS

Item	Part No.	Qty.	Description	Serial Numbers/Notes
1	2703219	1	Controller, Trailer Brake	
2	829630	1	• Connector, 4 Contact Female	
3	825886	4	• Terminal, Male 1/4"	
4	800745	2	• Screw, #10-24 x 1-3/4" Slotted	
5	120052	2	• Lockwasher, #10	
6	306531	2	• Nut, #10-24 Hex	
7	894597	1	Harness, Trailer Brake	
	809206	1	• Grommet	
	825893	1	• Bushing, Strain Relief	
8	829631	1	• Connector, 4 Contact Male	
9	825748	4	• Terminal, Female 1/4"	
10	826006	2	• Connector, 2 Contact Female	
11	825961	2	• Terminal, Male 1/4" Two Wire	
12	825886	2	• Terminal, Male 1/4"	
13	889139	1	• Clamp Assembly	
14	834324	1	• Receptacle, Square Flange	
15	834575	6	• Pin, Receptacle	
16	835460	1	• Seal, Peripheral	
17	835461	1	• Cap, Sealing	
18	835472	1	• Bracket, Mounting	
19	307136	4	• Screw, #6-32 x 5/16"	
20	306990	4	• Lockwasher, #6 Shakeproof	
21	302437	4	• Nut, #6-32 Hex	
22	800177	2	• Screw, 5/16-18 Pan Head	
23	453009	2	• Flat Washer, 5/16	
24	446134	2	• Lockwasher, 5/16	
25	443106	2	• Nut, 5/16-18 Hex	
26	400258	1	Screw, 3/8-16 x 3/4" Hex Head	
27	446140	1	Lockwasher, 3/8	
28	443110	1	Nut, 3/8-16 Hex	
29	810437	1	Clamp, 1/2" Wire	

> Change from previous

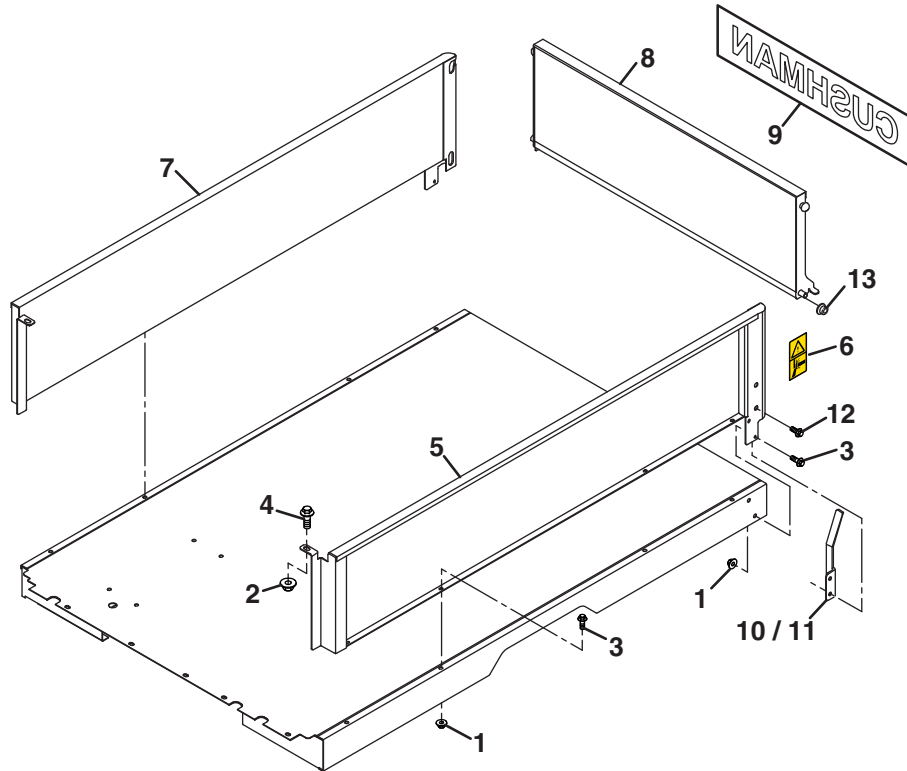
ACCESSORIES & MODIFICATIONS

4.1 Box Sides and Tailgate

Part No. 4111182G01 & 4111182G02 (Factory Installed)

Models Accessory will fit

- | | |
|-------------------|--------------------|
| ■ Haulster Gas | □ Truckster Gas |
| ■ Haulster Diesel | □ Truckster Diesel |



Item	Part No.	Qty.	Description	Serial Numbers/Notes
1	450453	12	Nut, M8-1.25 Hex Flange	
2	450455	2	Nut, M12-1.75 Hex Flange	
3	452389	12	Screw, M8-1.25 x 25 mm Hex Flange	
4	452411	2	Screw, M12-1.75 x 40 mm Hex Flange	
5	4111400	1	Panel, Left Side 1 Ton	
6	845027	1	• Decal, Pinch Point	
7	4111401	1	Panel, Right Side 1 Ton	Includes Decal, Item 6
8	4110220	1	Tailgate	
9	74411G01	1	• Decal, Cushman	
10	2703883.7	1	Spring, Left Side Tailgate	
11	2703884.7	1	Spring, Right Side Tailgate	
12	452388	4	Screw, M8-1.25 x 20 mm Hex Flange	
13	840494	2	Bearing	

> Change from previous revision

ACCESSORIES & MODIFICATIONS

5.1 47 Inch Flatbed

Part No. 889983

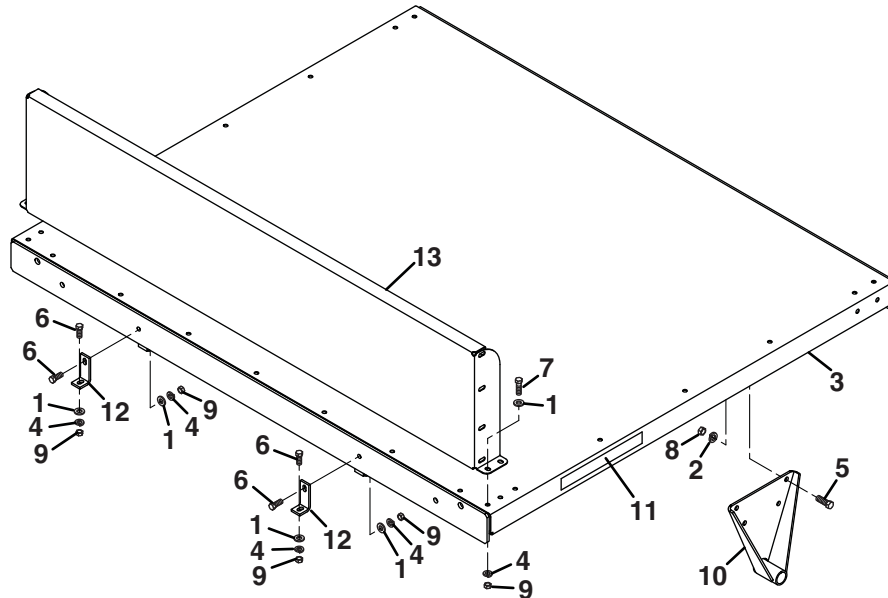
Models Accessory will fit

■ Haulster Gas

□ Truckster Gas

■ Haulster Diesel

□ Truckster Diesel



Item	Part No.	Qty.	Description	Serial Numbers/Notes
1	453009	17	Flat Washer, 5/16	
2	446140	8	Lockwasher, 3/8	
3	889983	1	Flatbed	
4	446134	17	Lockwasher, 5/16	
5	400262	8	Screw, 3/8-16 x 1" Hex Head	
6	400188	4	Screw, 5/16-18 x 1" Hex Head	
7	400184	13	Screw, 5/16-18 x 3/4" Hex Head	
8	443110	8	Nut, 3/8-16 Hex	
9	443106	17	Nut, 5/16-18 Hex	
10	882931	2	Bracket, Flatbed Pivot	
11	816991	1	Decal	
12	882931	2	Bracket, Box Hold-Down	
13	833868	1	Panel, Stopwall	

> Change from previous revision

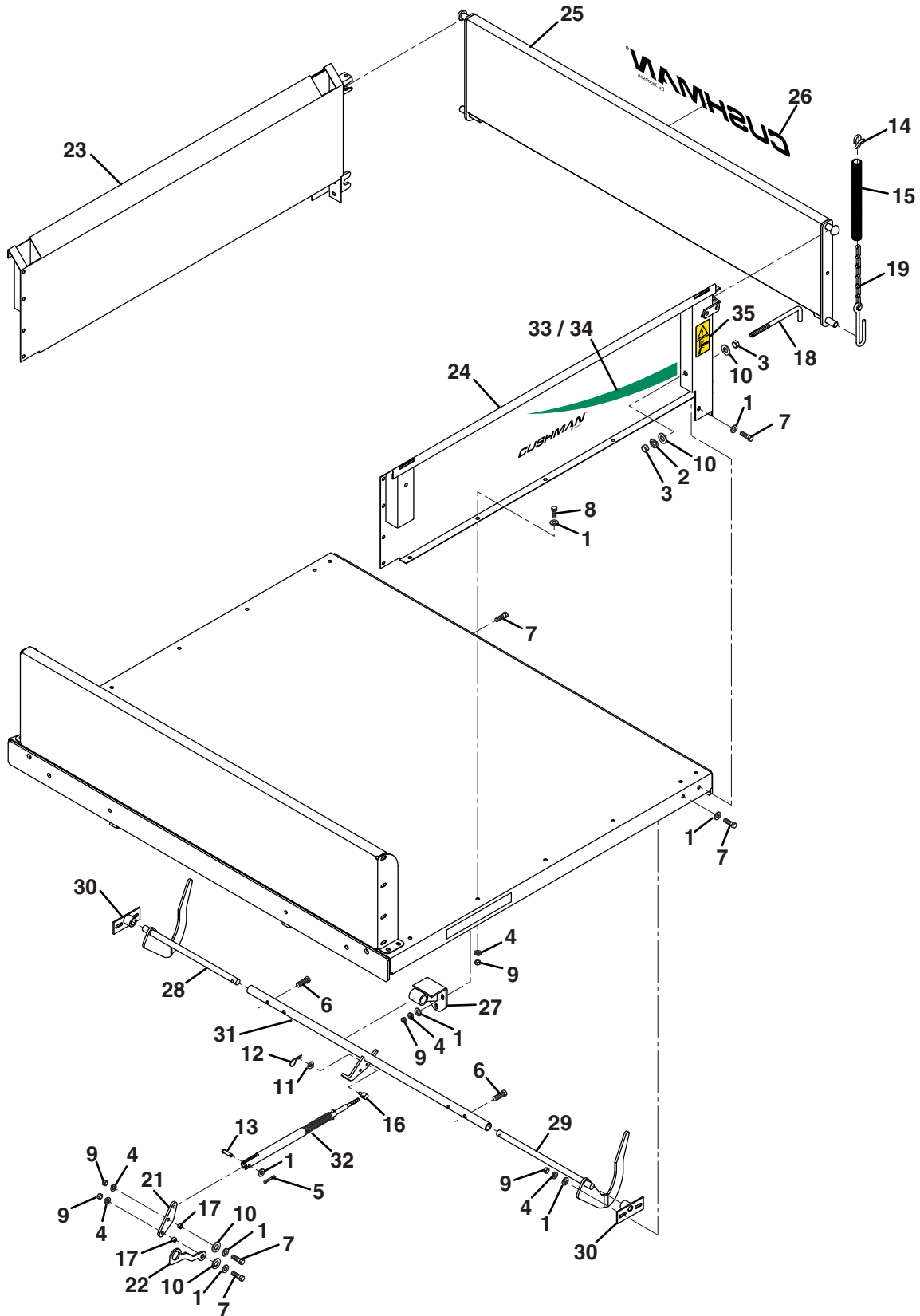
ACCESSORIES & MODIFICATIONS

6.1 47 Inch Box Sides

Part No. 890010 (Requires 47 Inch Flatbed 889983)

Models Accessory will fit

- | | |
|--|--|
| <input type="checkbox"/> Haulster Gas | <input checked="" type="checkbox"/> Truckster Gas |
| <input type="checkbox"/> Haulster Diesel | <input checked="" type="checkbox"/> Truckster Diesel |



ACCESSORIES & MODIFICATIONS

Item	Part No.	Qty.	Description	Serial Numbers/Notes
1	453009	37	Flat Washer, 5/16	Not Shown
2	446146	2	Lockwasher, 7/16	
3	443114	4	Nut, 7/16-14 Hex	
4	446134	30	Lockwasher, 5/16	
5	460010	1	Cotter Pin, 3/32 x 1/2"	
6	400262	2	Screw, 3/8-16 x 1" Hex Head	
7	400188	8	Screw, 5/16-18 x 1" Hex Head	
8	400184	22	Screw, 5/16-18 x 3/4" Hex Head	
9	443106	30	Nut, 5/16-18 Hex	
10	453013	6	Flat Washer, 7/16	
11	453023	1	Flat Washer, 1/4	
12	548190	1	Hairpin	
13	806773	1	Clevis Pin	
14	808222	2	Link, Chain Connector	
15	809978	2	Cover, Chain	
16	817117	1	Pin, Connector	
17	819337	2	Bushing	
18	820388	2	Stop, Tailgate	
19	820434	2	Chain, Tailgate	
20	831727	AR	Seal, Weather	
21	836526	1	Lever, Reversing	
22	836527	1	Slide, Reversing	
23	883256.7	1	Panel, Right Side Box	
24	883257.7	1	Panel, Left Side Box	
25	886051	1	Tailgate	
26	4131338	1	• Decal, Cushman	
27	889788.7	1	Bushing, Center	
28	889789.7	1	Right Side Latch	
29	889790.7	1	Left Side Latch	
30	889791	2	Bushing, End	
31	889804.7	1	Tube, Rear	
32	890043	1	Rod, Actuating	
33	4131331	1	Decal, Left Side Cushman	
34	4131332	1	Decal, Right Side Cushman	
35	845027	2	Decal, Pinch Point	

> Change from previous

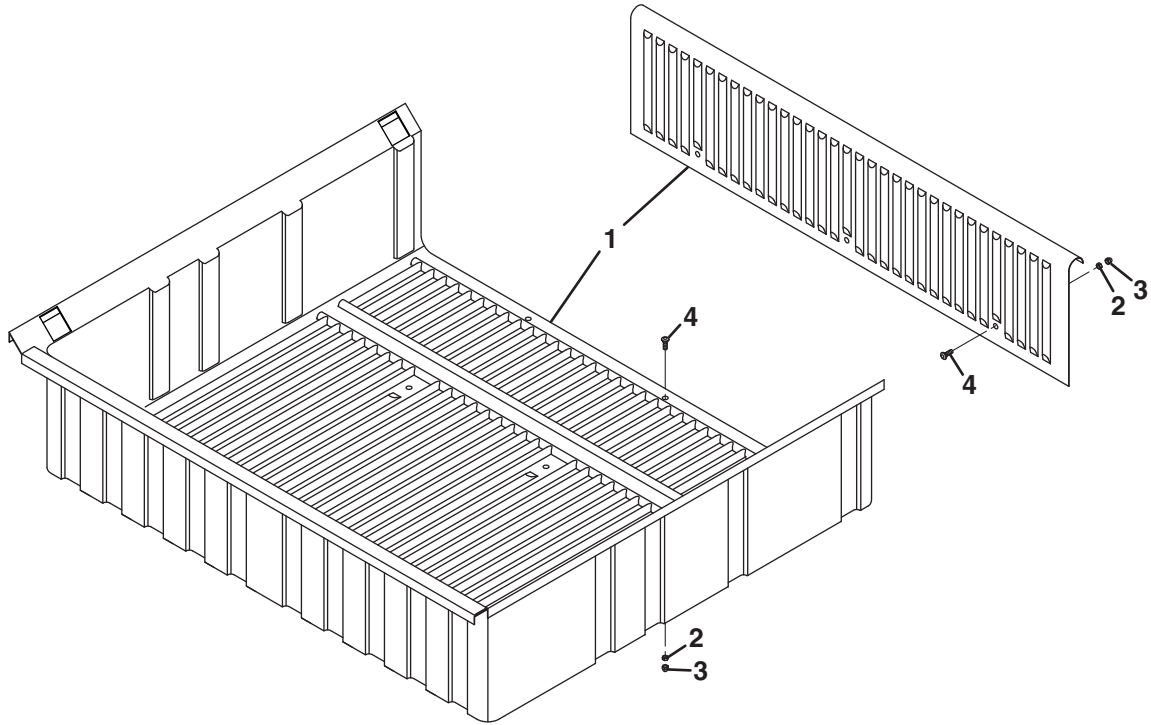
ACCESSORIES & MODIFICATIONS

7.1 Box Liner - 47 Inch

Part No. 888532

Models Accessory will fit

- Haulster Gas Truckster Gas
- Haulster Diesel Truckster Diesel



Item	Part No.	Qty.	Description	Serial Numbers/Notes
1	N/S	1	Liner Set	
2	306375	7	Nut, 1/4-20 Hex	
3	800037	7	Nut, 1/4-20 Acorn	
4	833830	7	Shoulder Bolt	

> Change from previous revision

8.1 60 Inch Flatbed

Product No. 894769

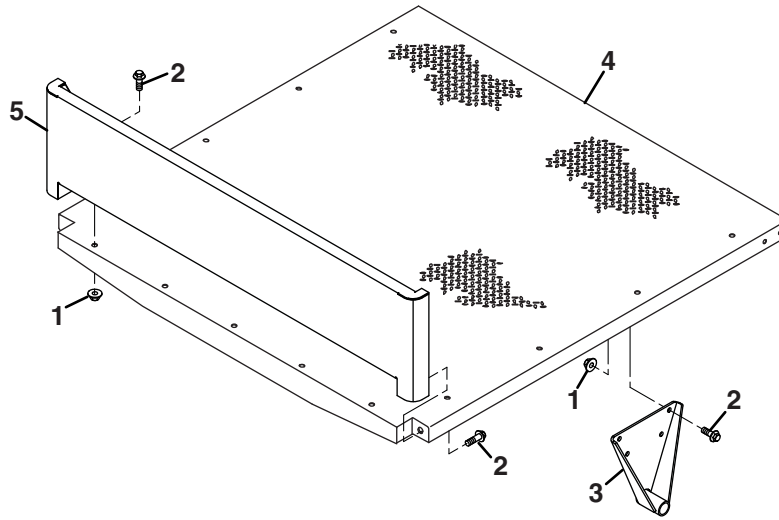
Models Accessory will fit

Haulster Gas

Truckster Gas

Haulster Diesel

Truckster Diesel



Item	Part No.	Qty.	Description	Serial Numbers/Notes
1	450454	13	Nut, M10-1.5 Hex Flange	
2	452398	15	Screw, M10-1.5 x 20 mm Hex Flange	
3	882931	2	Bracket, Bed Pivot	
4	894476	1	60 Inch Flatbed	
5	894837	1	Panel, Front	

> Change from previous revision

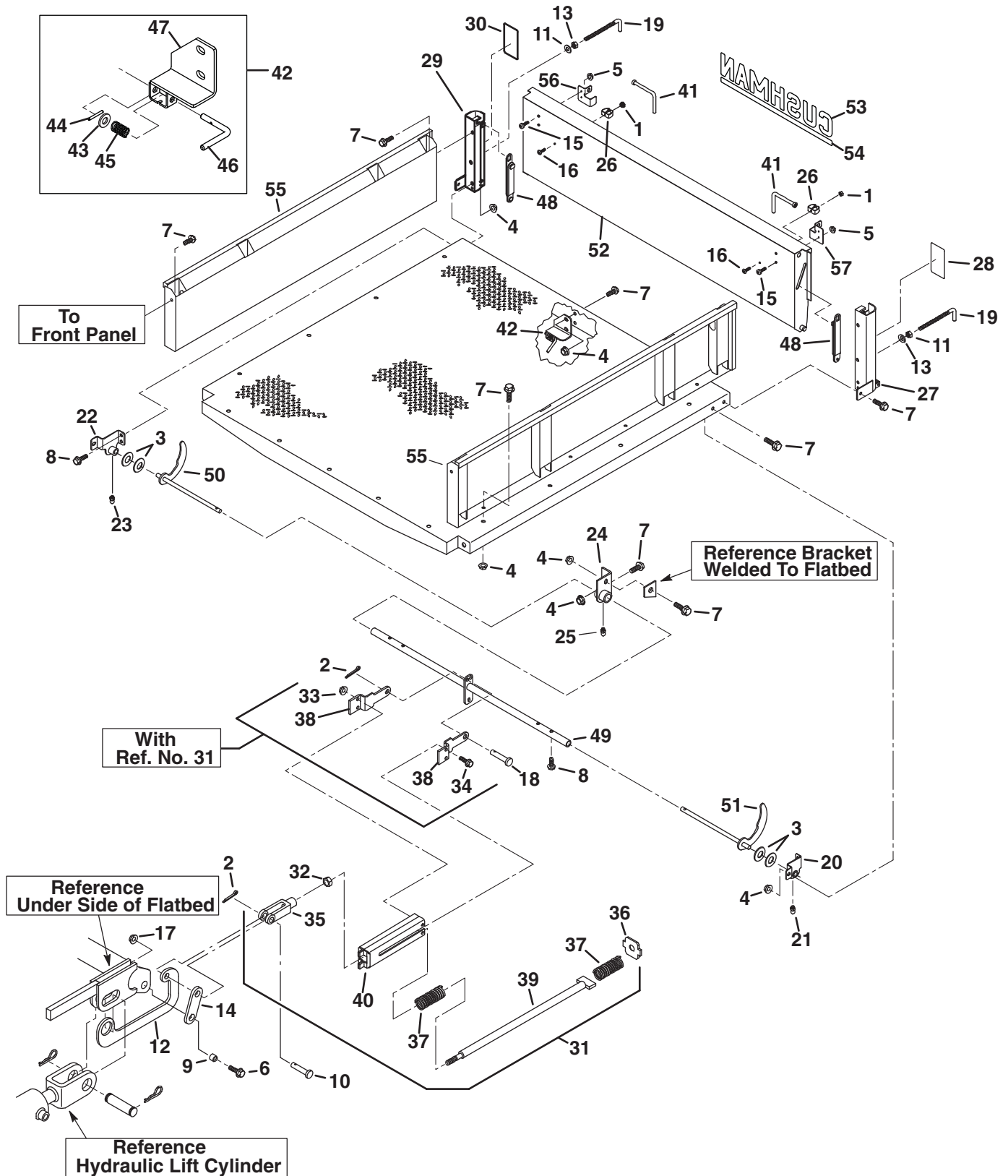
ACCESSORIES & MODIFICATIONS

9.1 60 Inch Box Sides

Part No. 2703394 (Requires 60 Inch Flatbed 894769)

Models Accessory will fit

- | | |
|--|--|
| <input type="checkbox"/> Haulster Gas | <input checked="" type="checkbox"/> Truckster Gas |
| <input type="checkbox"/> Haulster Diesel | <input checked="" type="checkbox"/> Truckster Diesel |



ACCESSORIES & MODIFICATIONS

Item	Part No.	Qty.	Description	Serial Numbers/Notes
1	444310	2	Nut, #10-24 Hex	
2	460026	2	Cotter Pin, 1/8 x 3/4"	
3	452016	4	Flat Washer, 5/8	
4	450454	18	Nut, M10-1.5 Hex Flange	
5	450452	4	Nut, M6-1 Hex Flange	
6	452390	1	Screw, M8-1.25 x 30 mm Hex Flange	
7	452398	20	Screw, M10-1.5 x 20 mm Hex Flange	
8	452399	6	Screw, M10-1.5 x 30 mm Hex Flange	
9	819337	1	Bushing	
10	832185	1	Clevis Pin, 3/8 x 1-1/4	
11	443114	2	Nut, 7/16-14 Hex	
12	844694	1	Slide, Release	
13	453013	2	Flat Washer, 7/16	
14	844884	1	Bracket, Pivot	
15	450541	4	Screw, M6-1 x 16 mm Hex Flange	
16	306460	2	Screw, #10-24 x 3/8" Slotted Round	
17	450453	1	Nut, M8-1.25 Hex Flange	
18	705729	1	Clevis Pin, 3/8 x 3/4"	
19	820388	2	Stop, Tailgate	
20	894750	1	Bracket, Left Side Pivot	
21	2702168	1	• Grease Fitting	
22	894781	1	Bracket, Right Side Pivot	
23	2702168	1	• Grease Fitting	
24	894752	1	Bracket, Center Pivot	
25	2702168	1	• Grease Fitting	
26	838225	2	Clip, Spring	
27	2703353.7	1	Post, Left Side	
28	845027	1	• Decal, Pinch Point	
29	2703354.7	1	Post, Right Side	
30	845027	1	• Decal, Pinch Point	
31	2703523	1	Actuator Assembly	
32	443812	1	• Nut, 3/8-24 Hex Jam	
33	450452	2	• Nut, M6-1 Hex Flange	
34	452382	2	• Screw, M6-1 x 50 mm Hex Flange	
35	827498	1	• Yoke	
36	845129	1	• Spacer, Spring Mount	
37	2703524	2	• Spring	
38	2703343	2	• Bracket, Mounting	
39	2703525	1	• Rod	
40	2703531.7	1	• Bracket, Spring Mounting	
41	2703290	2	Handle, Latch	

Parts List Continued on page 25

> Change from previous

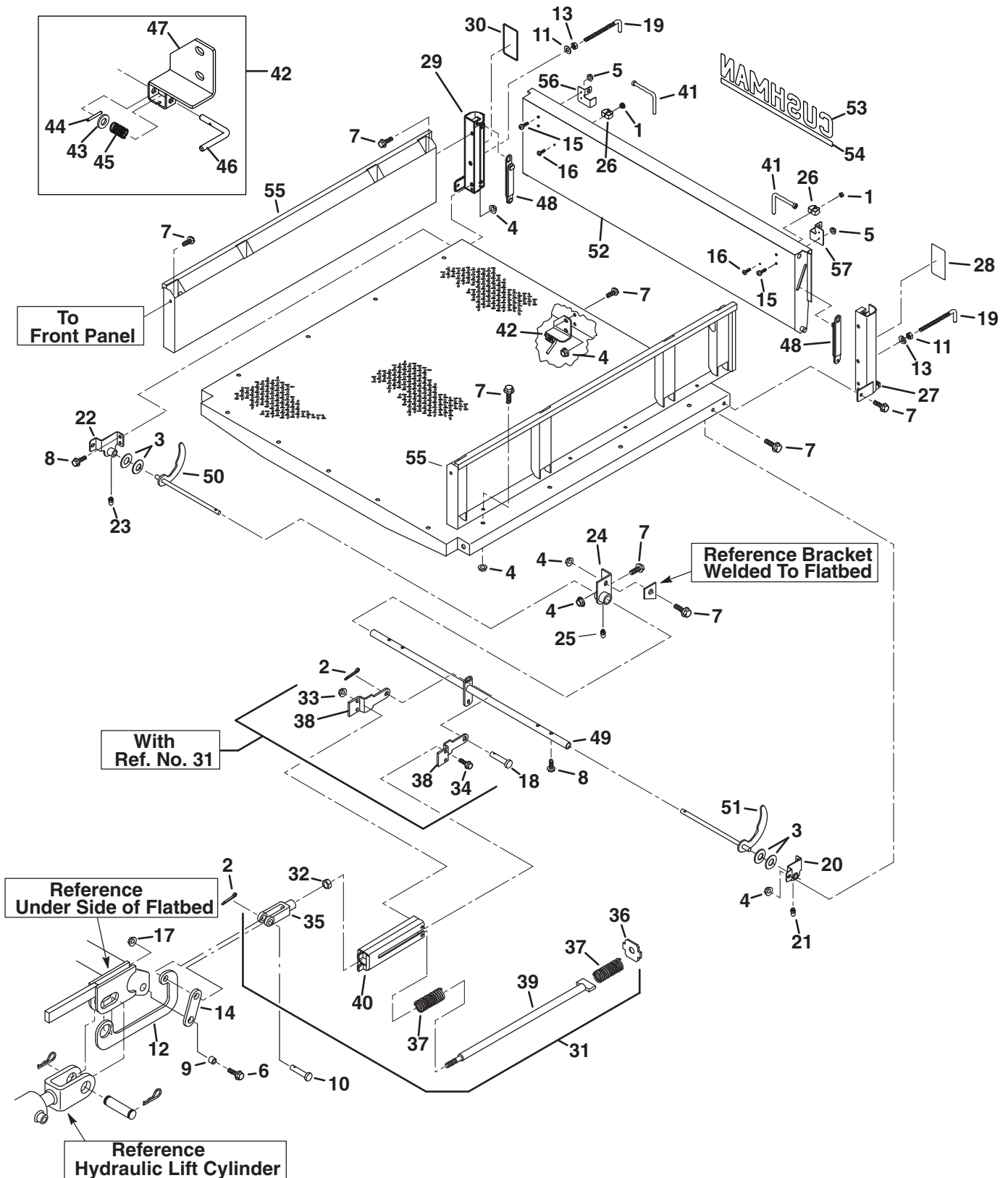
ACCESSORIES & MODIFICATIONS

10.1 60 Inch Box Sides (Continued)

Part No. 2703394

Models Accessory will fit

- | | |
|--|--|
| <input type="checkbox"/> Haulster Gas | <input checked="" type="checkbox"/> Truckster Gas |
| <input type="checkbox"/> Haulster Diesel | <input checked="" type="checkbox"/> Truckster Diesel |



ACCESSORIES & MODIFICATIONS

Item	Part No.	Qty.	Description	Serial Numbers/Notes
42	2703711	1	Bracket, Lock	
43	453009	1	• Flat Washer, 5/16	
44	306967	1	• Roll Pin, 1/8 x 1-1/4"	
45	805452	1	• Spring, Compression	
46	2703712	1	• Pin, Lock	
47	2703549.7	1	• Bracket, Lockout	
48	2700436	2	Hinge, Tailgate	
49	2703566.7	1	Tube, Latch	
50	2703641.7	1	Latch, Right Side Tailgate	
51	2703640.7	1	Latch, Left Side Tailgate	
52	2703305.7	1	Tailgate	
53	2702225	1	• Decal, Cushman	
54	839013	1	• Decal, Stripe	
55	2700575.7	2	Panel, Box	
56	2703293.7	1	Bracket, Right Side Latch	
57	2703342.7	1	Bracket, Left Side Latch	

> Change from previous

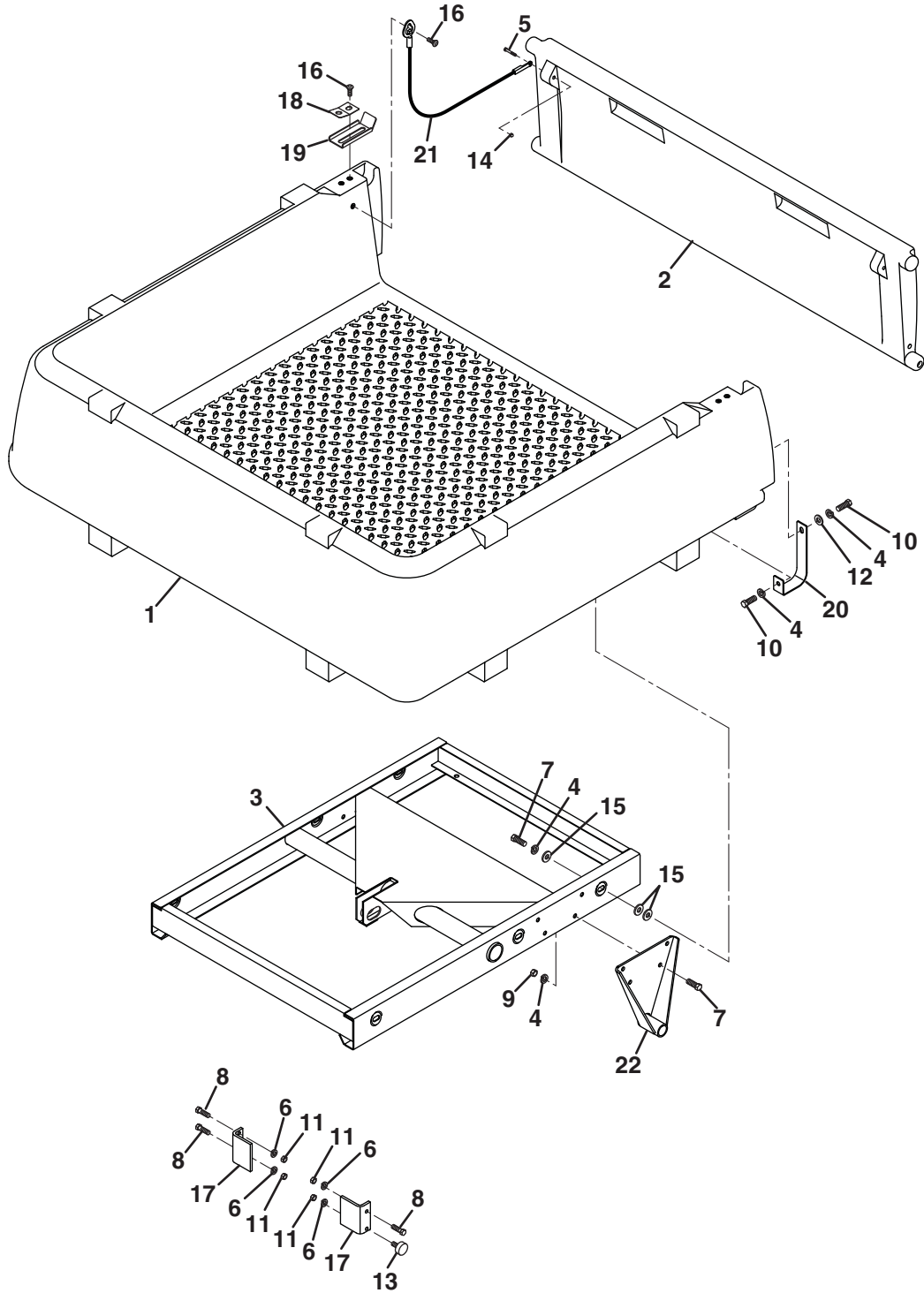
ACCESSORIES & MODIFICATIONS

11.1 Poly Dump Box

Part No. 892530

Models Accessory will fit

- | | |
|--|--|
| <input type="checkbox"/> Haulster Gas | <input checked="" type="checkbox"/> Truckster Gas |
| <input type="checkbox"/> Haulster Diesel | <input checked="" type="checkbox"/> Truckster Diesel |



ACCESSORIES & MODIFICATIONS

Item	Part No.	Qty.	Description	Serial Numbers/Notes
1	840012	1	Box, Polyethylene	
2	840013	1	Tailgate	
3	892484.7	1	Frame, Tilt	
4	446140	18	Lockwasher, 3/8	
5	600014	2	Screw, 1/4-20 x 1-3/4" Hex Head	
6	446134	4	Lockwasher, 5/16	
7	400262	14	Screw, 3/8-16 x 1" Hex Head	
8	400188	3	Screw, 5/16-18 x 1" Hex Head	
9	443110	8	Nut, 3/8-16 Hex	
10	400258	4	Screw, 3/8-16 x 3/4" Hex Head	
11	443106	4	Nut, 5/16-18 Hex	
12	453010	2	Flat Washer, 3/8	
13	523224	1	Bumper, Rubber	
14	800037	2	Nut, 1/4-20 Acorn	
15	809168	18	Flat Washer, 3/8	
16	833830	6	Screw, 1/4-20 x 3/4" Shoulder	
17	839971.7	2	Bracket, Box Support	
18	840015	2	Clip, Spring	
19	840016	2	Bracket, Slide	
20	840020	2	Bracket, Tailgate	
21	840057	2	Cable, Tailgate	
22	882931.7	2	Bracket, Box Pivot	

> Change from previous

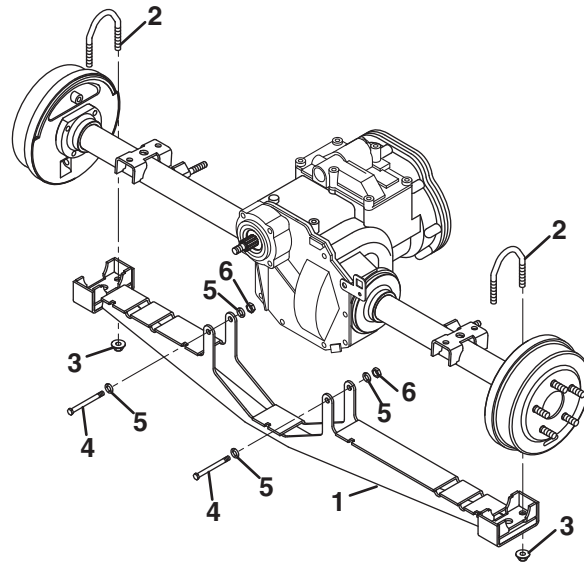
ACCESSORIES & MODIFICATIONS

12.1 Axle Truss Kit

Part No. 4158161 and Mod 4158162

Models Accessory will fit

- | | |
|--|--|
| <input type="checkbox"/> Haulster Gas | <input checked="" type="checkbox"/> Truckster Gas |
| <input type="checkbox"/> Haulster Diesel | <input checked="" type="checkbox"/> Truckster Diesel |



Item	Part No.	Qty.	Description	Serial Numbers/Notes
1	2701103	1	Truss, Axle	
2	2701148	2	U-Bolt, 2 In.	
3	548061	4	Locknut, 7/16-20 Hex	
4	311213	2	Screw, 3/8-16 x 3" Hex Head	
5	306405	4	Flat Washer, 3/8	
6	603773	2	Locknut, 3/8-16	

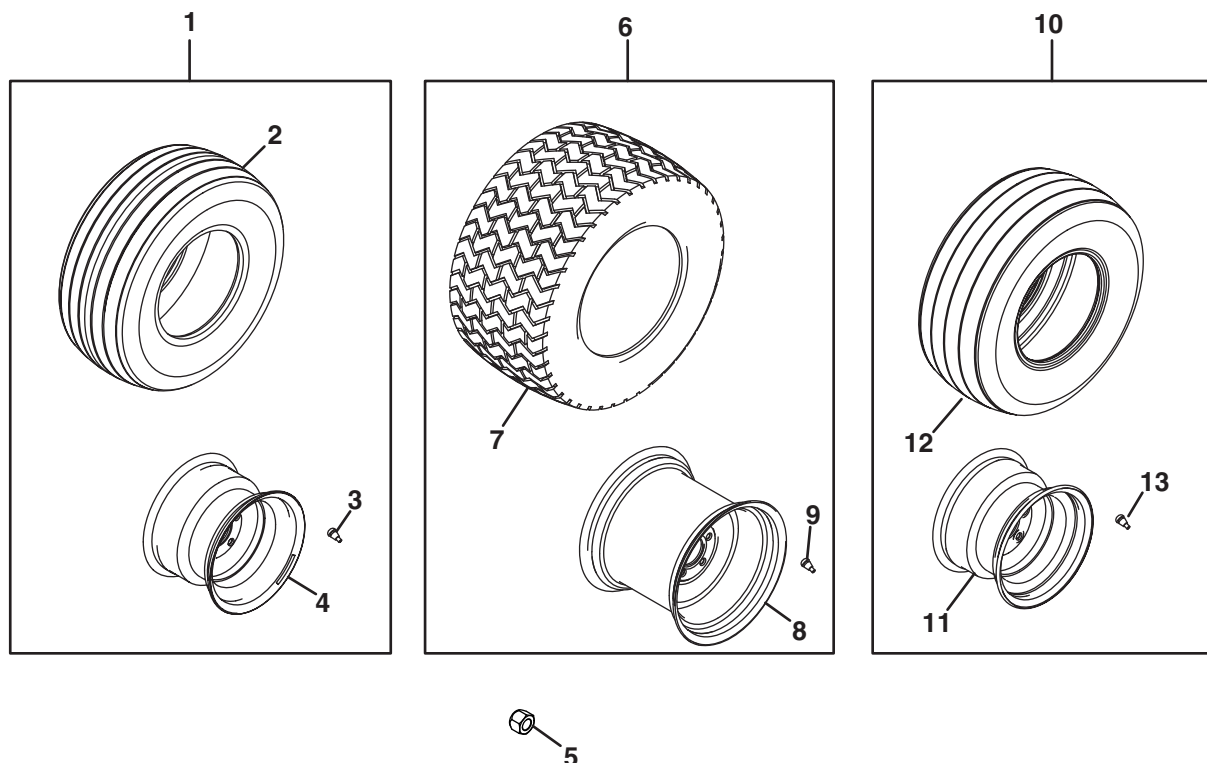
> Change from previous revision

ACCESSORIES & MODIFICATIONS

13.1 Spare Tire

Models Accessory will fit

- Haulster Gas ■ Truckster Gas
- Haulster Diesel ■ Truckster Diesel



Item	Part No.	Qty.	Description	Serial Numbers/Notes
1	4243009	2	Wheel and Tire, 20 x 10 - 10 (Front)	Used on Trucksters Only
2	4243005	1	• Wheel, 10 x 7.5 Five Bolt	Used on Trucksters Only
3	360111	1	• Valve, Inflation	Used on Trucksters Only
4	N/S	1	• Tire, 20 x 10 - 10 Straight Rib	Used on Trucksters Only
5	800909	20	Nut, M12-1.5 Lug	
6	4243008	2	Wheel and Tire, 24 x 13 - 12 (Rear)	Used on Trucksters Only
7	N/S	1	• Tire, 24 x 13-12 4 Ply	Used on Trucksters Only
8	4243006	1	• Rim, 12 x 10.50	Used on Trucksters Only
9	360111	1	• Valve, Inflation	Used on Trucksters Only
10	4247832	4	Wheel and Tire, USA Trail	Used on Haulsters Only
11	4243005	1	• Rim, 10.00 x 7 in. Five Bolt	Used on Haulsters Only
12	4247831	1	• Tire, 20x10- 10 USA Trail	Used on Haulsters Only
13	360111	1	• Valve Stem	Used on Haulsters Only

> Change from previous revision

ACCESSORIES & MODIFICATIONS

14.1 Shock Absorber Accessory

Part No. 2701344

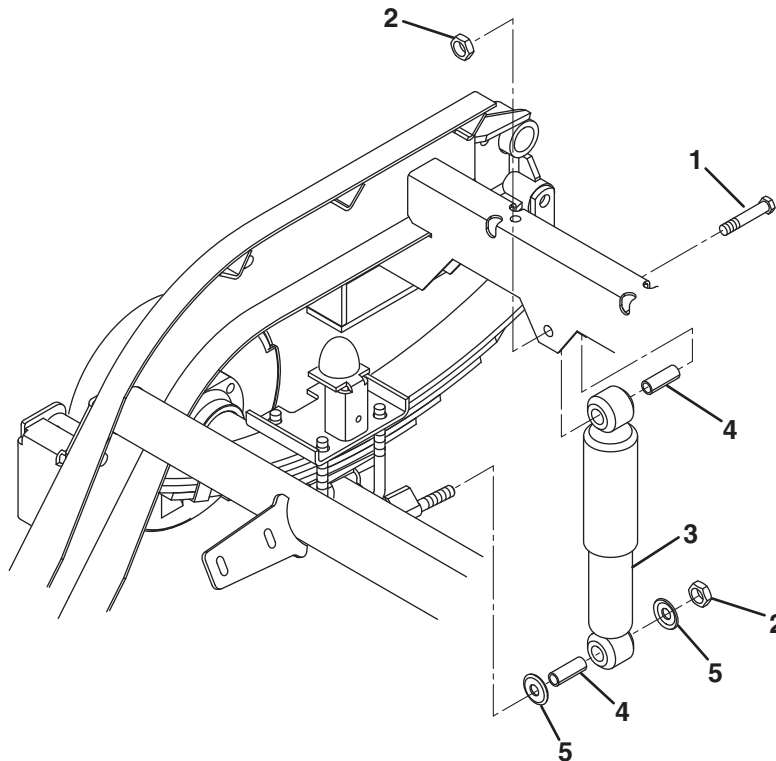
Models Accessory will fit

■ Haulster Gas

□ Truckster Gas

■ Haulster Diesel

□ Truckster Diesel



Item	Part No.	Qty.	Description	Serial Numbers/Notes
1	311396	2	Screw, 7/16-14 x 2-1/4"	
2	800294	4	Locknut, 7/16-15 Center	
3	807332	2	Shock Absorber	
4	823621	4	Bushing	
5	825500	4	Cupped Washer, 7/16	

> Change from previous revision

ACCESSORIES & MODIFICATIONS

15.1 Speedometer Panel Accessory

Part No. 2700904 and Mod 53769

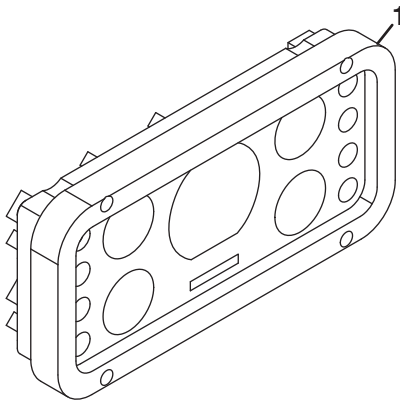
Models Accessory will fit

■ Haulster Gas

□ Truckster Gas

□ Haulster Diesel

□ Truckster Diesel



Item	Part No.	Qty.	Description	Serial Numbers/Notes
1	2700904	1	Speedometer Panel Accessory	

> Change from previous revision

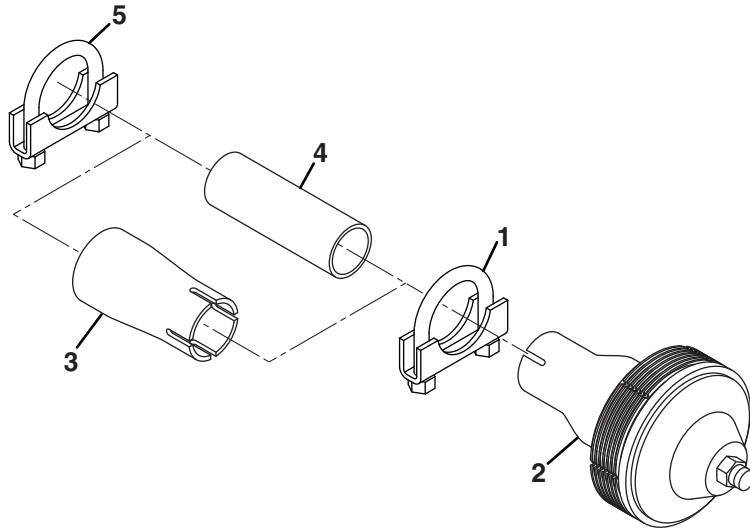
ACCESSORIES & MODIFICATIONS

16.1 Spark Arrester

Part No. 882574

Models Accessory will fit

- Haulster Gas ■ Truckster Gas
- Haulster Diesel ■ Truckster Diesel



Item	Part No.	Qty.	Description	Serial Numbers/Notes
1	813668	1	Clamp, 1-1/4" Tube	
2	822139	1	Spark Arrester	
3	825334	1	Tube, Adapter	1-1/4 O.D. x 1-5/16 O.D.
4	832974	1	Tube, Adapter	1-1/16 O.D.
5	818962	1	Clamp, 1-5/16" Tube	

> Change from previous revision

ACCESSORIES & MODIFICATIONS

17.1 Back-up Alarm

Part No. 2703183

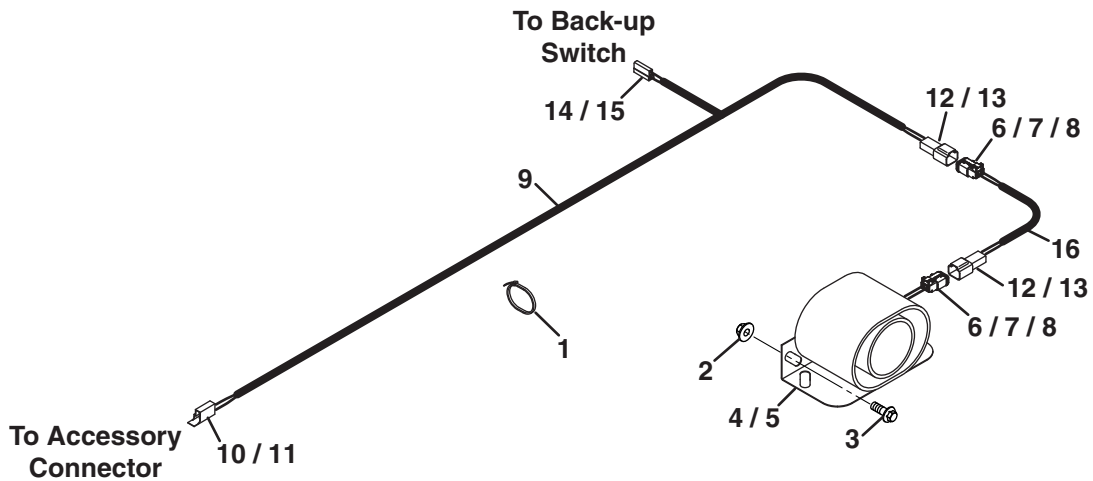
Models Accessory will fit

■ Haulster Gas

■ Truckster Gas

■ Haulster Diesel

■ Truckster Diesel



Item	Part No.	Qty.	Description	Serial Numbers/Notes
1	320107	2	Cable Tie	
2	800697	2	Nut, 5/16-18 Hex Flange	
3	800710	2	Screw, 5/16-18 x 1" Hex Flange	
4	894814	1	Alarm, Back-up	
5	834229	1	• Alarm, Backup	
6	839918	1	• Receptacle, 2 Wire	
7	825357	2	• Terminal, Male Pin	
8	839935	1	• Lock, 2-wire Receptacle	
9	894815	1	Harness, Back-up Alarm	
10	826006	1	• Connector, 2 Wire Female	
11	825886	2	• Terminal, 1/4 L-Male	
12	839917	1	• Plug, 2 Wire	
13	838769	2	• Terminal, Socket	
14	844815	1	• Connector, 2-Wire	
15	839921	1	• Lock, 2-Wire Plug	
16	2702719	1	Harness, Alarm	Includes Items 6-8 and 12-13

> Change from previous revision

ACCESSORIES & MODIFICATIONS

18.1 Accessory Harness and Ram Mount

Part No. 4119630 (Harness), 4119631 (Ram Mount), and Mod 53772

Models Accessory will fit

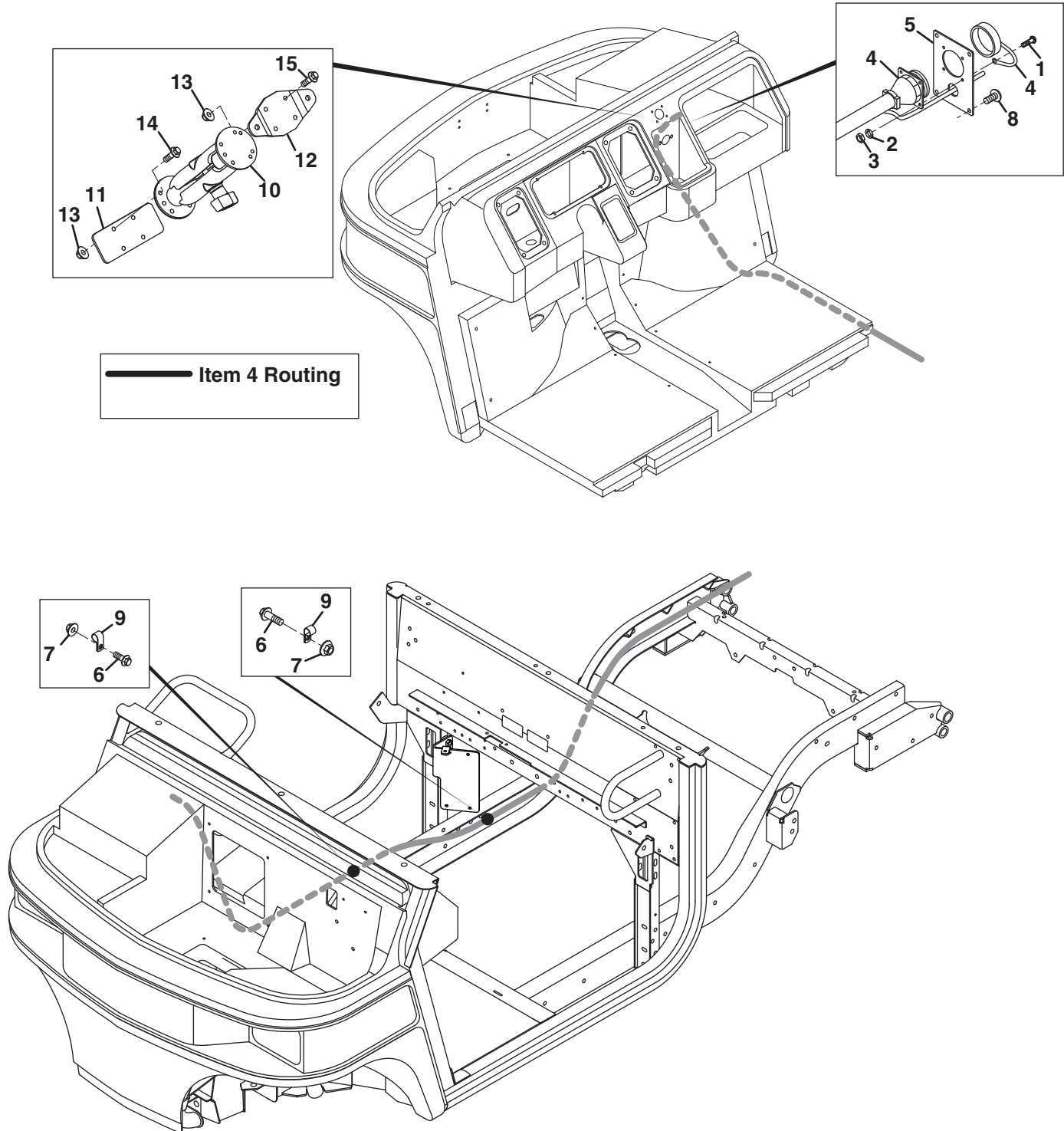
Haulster Gas

Truckster Gas

Haulster Diesel

Truckster Diesel

Accessory Harness cannot be installed if Heater/Defroster is already installed.



ACCESSORIES & MODIFICATIONS

Item	Part No.	Qty.	Description	Serial Numbers/Notes
	53772	1	Mod, Accessory Harness and Ram Mount	
	4119630	1	• Accessory Harness	
1	312288	4	• • Screw, Pan Head Machine	
2	306990	4	• • External Lockwasher	
3	302437	4	• • Nut, Hex Screw	
4	4117669	1	• • Harness, Sprayer	
5	4117861G01	1	• • Panel, Connector Plate	
6	452398	2	• • Screw, M10-1.5 x 20 mm Hex Flange	
7	450454	2	• • Nut, M10-1.5 Hex Flange	
8	800943	4	• • Screw, #10-16 x 3/4" Thread Cutting	
9	2701108	4	• • Clamp	
	4119631	1	• Ram Mount	
10	4118003	1	• • Mount, Swivel	
11	4117187.7	1	• • Plate, Backing	
12	4117184.7	1	• • Plate, Mounting	
13	548973	8	• • Nut, Hex Stop	
14	800299	4	• • Screw, Truss Head Machine	
15	800296	4	• • Screw, Truss Head Machine	

> Change from previous

ACCESSORIES & MODIFICATIONS

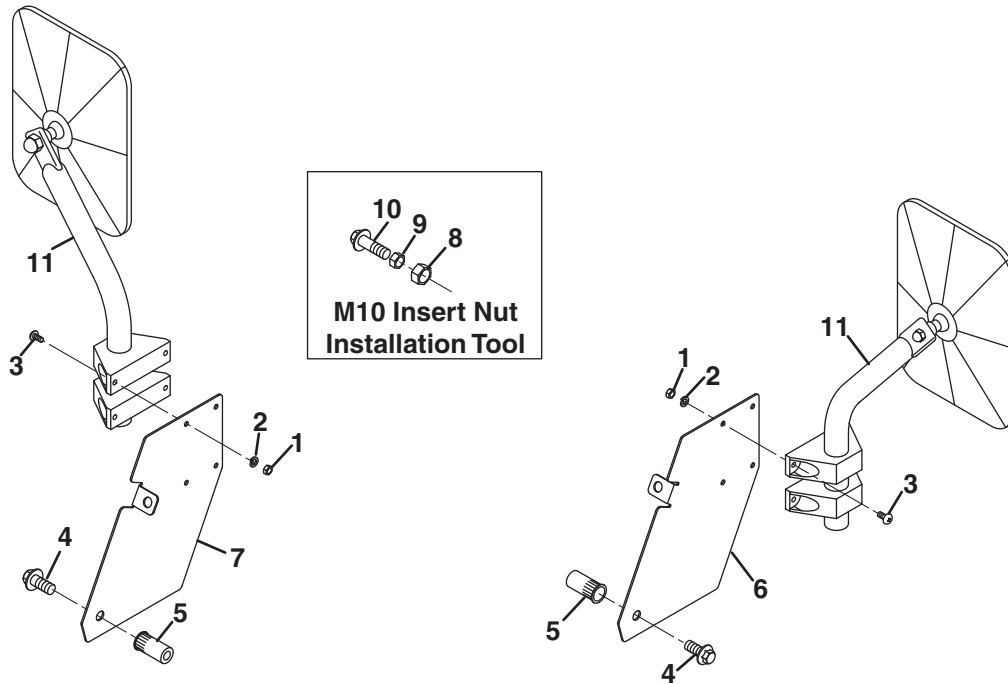
19.1 Outside Mirrors

Part No. 894768

Models Accessory will fit

- Haulster Gas ■ Truckster Gas
- Haulster Diesel ■ Truckster Diesel

Outside mirrors cannot be installed on RV models 84069 and 84072.



Item	Part No.	Qty.	Description	Serial Numbers/Notes
● 1	450321	8	Nut, M4-0.7 Hex	
● 2	450408	8	Lockwasher, M4	
● 3	450517	8	Screw, M4-0.7 x 12 mm Pan Head	
● 4	452400	4	Screw, M10-1.5 x 30 mm Hex Flange	
● 5	800961	4	Nut, M10-1.5 Insert	
● 6	844931	1	Bracket, Left Side Mirror	
● 7	844932	1	Bracket, Right Side Mirror	
● 8	845022	1	Tool, Insert	
● 9	450220	1	Screw, M10-1.5 x 55 mm Hex Flange	
● 10	450325	1	Nut, M10-1.5 Hex	
● 11	894864	2	Mirror, Outside	
●	Not used when mirrors installed on cab doors			

> Change from previous revision

ACCESSORIES & MODIFICATIONS

20.1 Dome Light

Part No. 53728 (Requires Upper ROPS 894761)

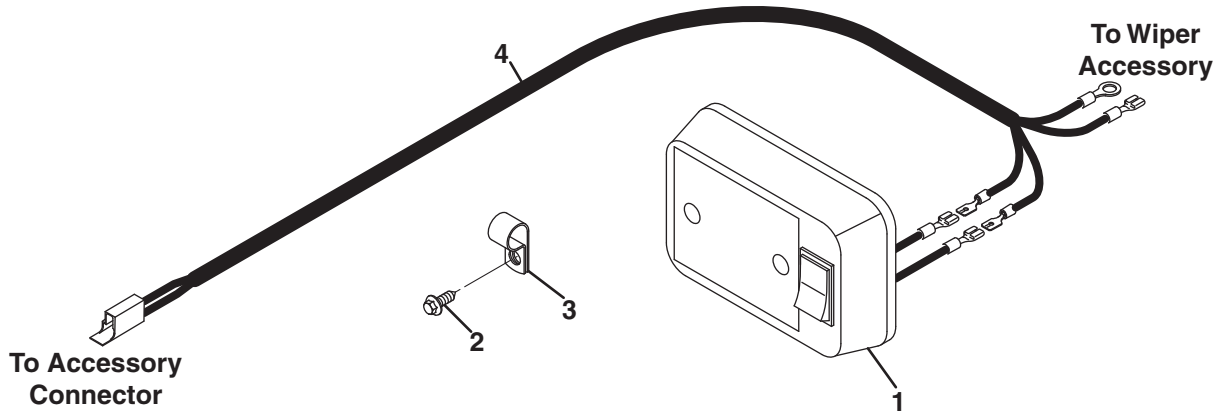
Models Accessory will fit

■ Haulster Gas

■ Truckster Gas

■ Haulster Diesel

■ Truckster Diesel



Item	Part No.	Qty.	Description	Serial Numbers/Notes
1	182399	1	Light, Dome	
2	800965	2	Screw, #12-14 x 3/4" Self Tapping	
3	814294	2	Clamp	
4	894804	1	Harness, Wiper/Dome Light	
	826006	1	• Connector, 2 Wire Female	
	825886	2	• Terminal, 1/4 L-Male	

> Change from previous revision

ACCESSORIES & MODIFICATIONS

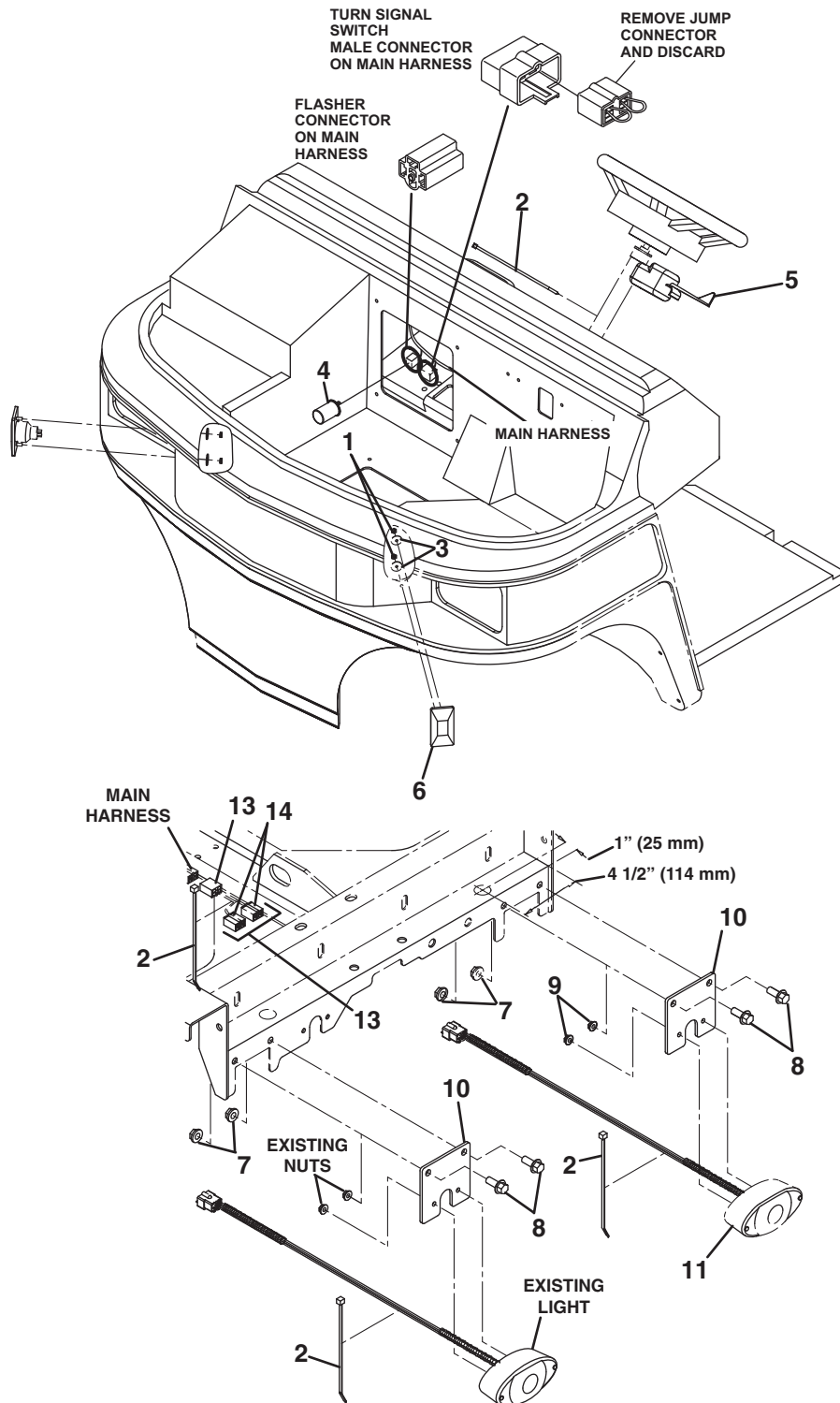
21.1 Turn Signal Accessory

Part No. 894764 and Mod 53735

Models Accessory will fit

- Haulster Gas
- Truckster Gas
- Haulster Diesel
- Truckster Diesel

Turn Signal cannot be installed on RV models 84069 and 84072.



ACCESSORIES & MODIFICATIONS

Item	Part No.	Qty.	Description	Serial Numbers/Notes
1	444312	4	Nut, #10-32 Hex	
2	320107	4	Cable Tie	
3	548178	4	Flat Washer, #10	
4	822867	1	Flasher, Turn and Hazard 12 V	
5	894288	1	Switch, Turn Signal	
6	894855	2	Light, Front Turn Signal	
	837670	1	• Bulb, 32 CP, No. 1156	
7	450454	4	Nut, M10-1.5 Hex Flange	
8	452399	4	Screw, M10-1.5 x 25 mm Hex Flange	
9	445784	2	Nut, 1/4-20 Whizlock Flange	
10	844870	2	Bracket, Rear Turn Signal	
11	893602	1	Lamp, Stop and Tail	
	822049	1	• Bulb, 32-4 CP, No. 1157	
12	894846	1	Harness, Turn Signal	
13	829630	1	Connector, 4 Contact Male	
14	829631	2	Connector, 4 Contact Female	

> Change from previous

ACCESSORIES & MODIFICATIONS

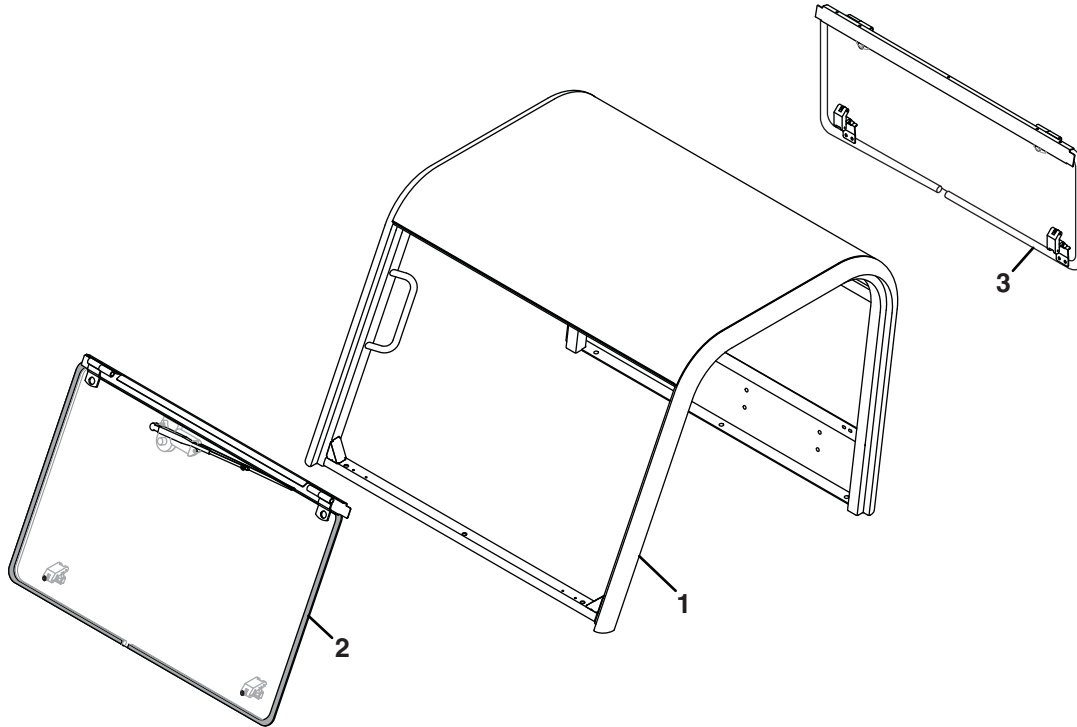
22.1 Cab

Part No. 53721

Models Accessory will fit

- Haulster Gas ■ Truckster Gas
- Haulster Diesel ■ Truckster Diesel

Cab cannot be installed
on RV models 84069 and 84072.



Item	Part No.	Qty.	Description	Serial Numbers/Notes
	53721	1	Cab Assembly	
1	894761	1	• Upper ROPS	See 23.1
2	894757	1	• Windshield with Wiper	See 24.1
3	894758	1	• Rear Window	See 25.1

> Change from previous revision

ACCESSORIES & MODIFICATIONS

23.1 Upper ROPS

Part No. 894761

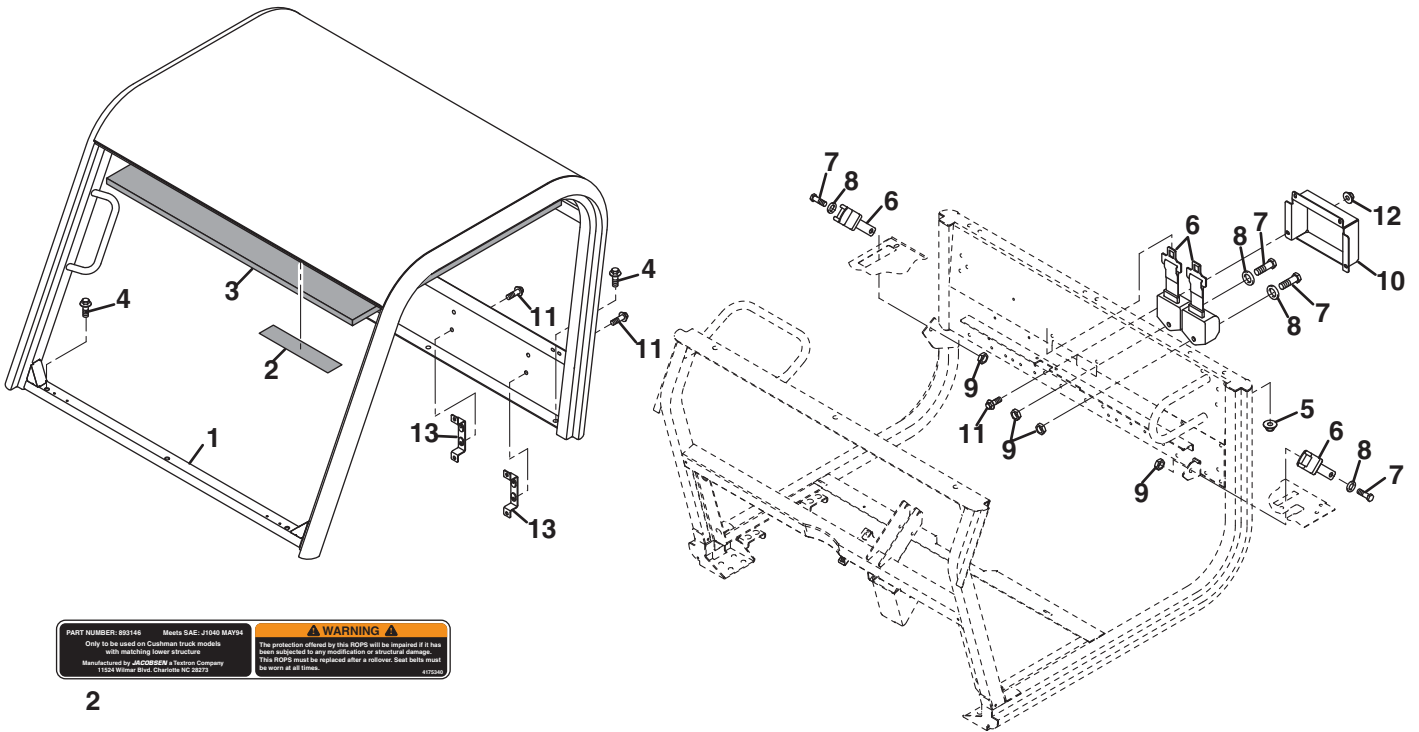
Models Accessory will fit

■ Haulster Gas

■ Truckster Gas

■ Haulster Diesel

■ Truckster Diesel



WARNING
The protection offered by this ROPS will be impaired if it has been subjected to any modification or structural damage. This ROPS must be replaced after a rollover. Seat belts must be worn at all times.

2

Item	Part No.	Qty.	Description	Serial Numbers/Notes
1	4184320	1	Upper ROPS	
2	4175340	1	• Decal, Warning and ROPS Cert.	
3	844988	1	Foam, 1/2 in. Perforated ROPS	
4	452411	6	Screw, M12-1.75 x 40 mm Flange	
5	450455	3	Nut, M12-1.75 Hex Flange	
6	4140269	2	Seat Belt Assembly	
7	N/S	2	• Screw, 7/16-20 x 1 in. Hex Head	
8	N/S	2	• Flat Washer, 7/16	
9	N/S	2	• Nut, 7/16-20 Hex	
10	841799	1	Guard, Seat Belt	
11	800930	12	Screw, M8-1.25 x 16 mm Flange	
12	450453	4	Nut, M8-1.25 Hex Flange	
13	893632	4	Support, Backrest	

> Change from previous revision

ACCESSORIES & MODIFICATIONS

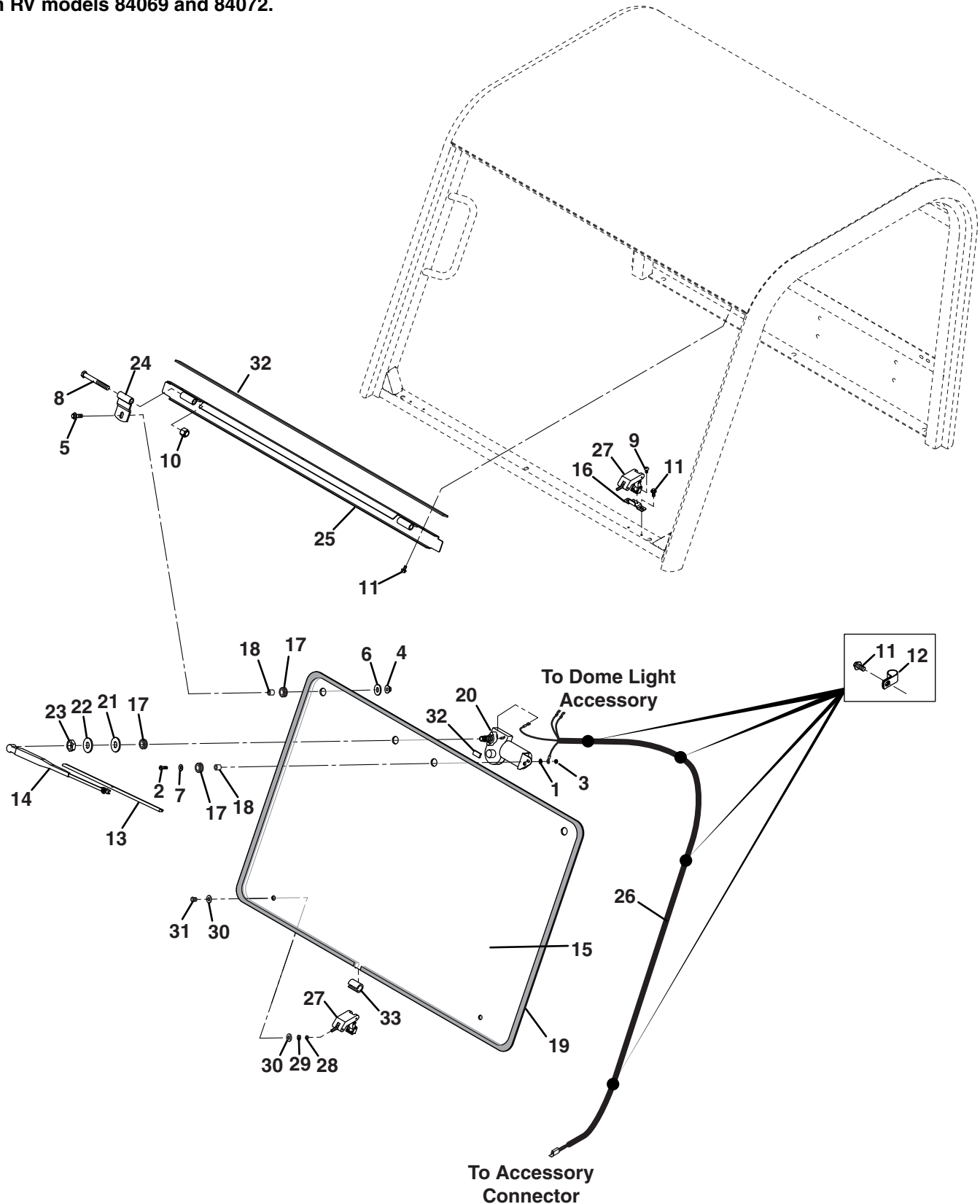
24.1 Windshield with Wiper

Part No. 894757

Models Accessory will fit

- Haulster Gas
- Truckster Gas
- Haulster Diesel
- Truckster Diesel

Windshield cannot be installed on RV models 84069 and 84072.



ACCESSORIES & MODIFICATIONS

Item	Part No.	Qty.	Description	Serial Numbers/Notes
1	306998	1	Lockwasher, #10 Shakeproof	
2	306379	1	Screw, #10-24 x 1" Slotted Round	
3	306531	1	Nut, #10-24 Hex	
4	450453	2	Nut, M8-1.25 Hex Flange	
5	452390	2	Screw, M8-1.25 x 30 mm Hex Flange	
6	548159	2	Flat Washer, 5/16	
7	548178	1	Flat Washer, #10	
8	548941	2	Screw, 1/2-13 x 4-1/2" Hex Head	
9	819195	4	Screw, #8-18 x 1/2" Self Tapping	
10	800602	2	Nut, 1/2-13 Nylon Insert	
11	452692	13	Screw, M6-1 x 12 mm Self Tapping	
12	814924	4	Clamp	
13	826037	1	Blade, Windshield Wiper	
14	828682	1	Arm, Windshield Wiper	
15	844112	1	Window, Front	
16	844925	2	Mount, Front Window Latch	
17	844938	4	Grommet	
18	844939	3	Spacer	
19	844944	AR	Seal	25 foot roll, cut to 148 inches
20	886497	1	Wiper Motor	
	886131	1	• Shaft, Service	
21	N/S	1	• Leather Washer	
22	N/S	1	• Spacer	
23	N/S	1	• Nut	
24	894739	2	Hinge, Window	
25	894740	1	Mount, Front Window	
26	894804	1	Harness, Wiper/Dome Light	
	826006	1	• Connector, 2 Wire Female	
	825886	2	• Terminal, 1/4 L-Male	
27	894863	2	Latch, Window	
28	N/S	1	• Nut, 1/4	
29	N/S	1	• Nut, 7/16	
30	N/S	2	• Washer	
31	N/S	1	• Nut, Tightening	
32	828378	AR	Weather Stripping	50 foot roll, cut as required
33	830425	AR	Hose	26 foot roll, cut to 2-1/2 inches

> Change from previous

ACCESSORIES & MODIFICATIONS

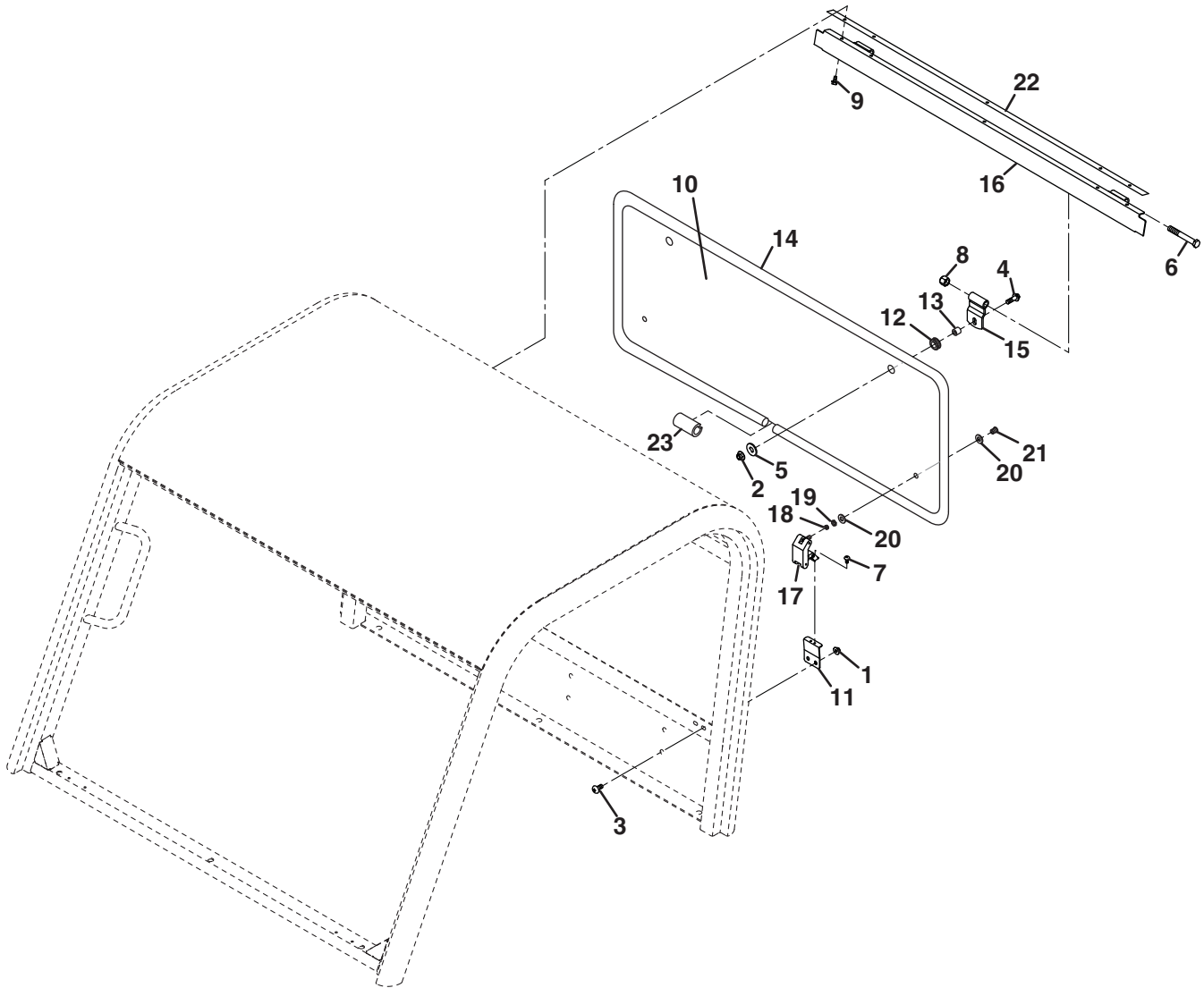
25.1 Rear Window

Part No. 894758

Models Accessory will fit

- | | |
|-------------------|--------------------|
| ■ Haulster Gas | ■ Truckster Gas |
| ■ Haulster Diesel | ■ Truckster Diesel |

Rear Window cannot be installed
on RV models 84069 and 84072.



ACCESSORIES & MODIFICATIONS

Item	Part No.	Qty.	Description	Serial Numbers/Notes
1	450452	4	Nut, M6-1 Hex Flange	
2	450453	2	Nut, M8-1.25 Hex Flange	
3	450539	4	Screw, M6-1 x 12 mm Pan Head	
4	452390	2	Screw, M8-1.25 x 30 mm Hex Head	
5	548159	2	Flat Washer, 5/16	
6	548941	2	Screw, 1/2-13 x 4-1/2" Hex Head	
7	819195	4	Screw, #8-18 x 1/2" Self Tapping	
8	800602	2	Nut, 1/2-13 Nylon Insert	
9	452692	5	Screw, M6-1 x 12 mm Self Tapping	
10	844113	1	Window, Rear	
11	844926	2	Mount, Rear Window Latch	
12	844938	2	Grommet	
13	844939	2	Spacer	
14	844944	AR	Seal, Window	25 foot roll, cut to 124 inches
15	894739	2	Hinge, Window	
16	894741	1	Mount, Rear Window	
17	894863	2	Latch, Window	
18	N/S	1	• Nut, 1/4	
19	N/S	1	• Nut, 7/16	
20	N/S	2	• Washer	
21	N/S	1	• Nut, Tightening	
22	828378	AR	Weather Stripping	50 foot roll, cut to 45 inches
23	830425	AR	Hose	26 foot roll, cut to 2-1/2 inches

> Change from previous

ACCESSORIES & MODIFICATIONS

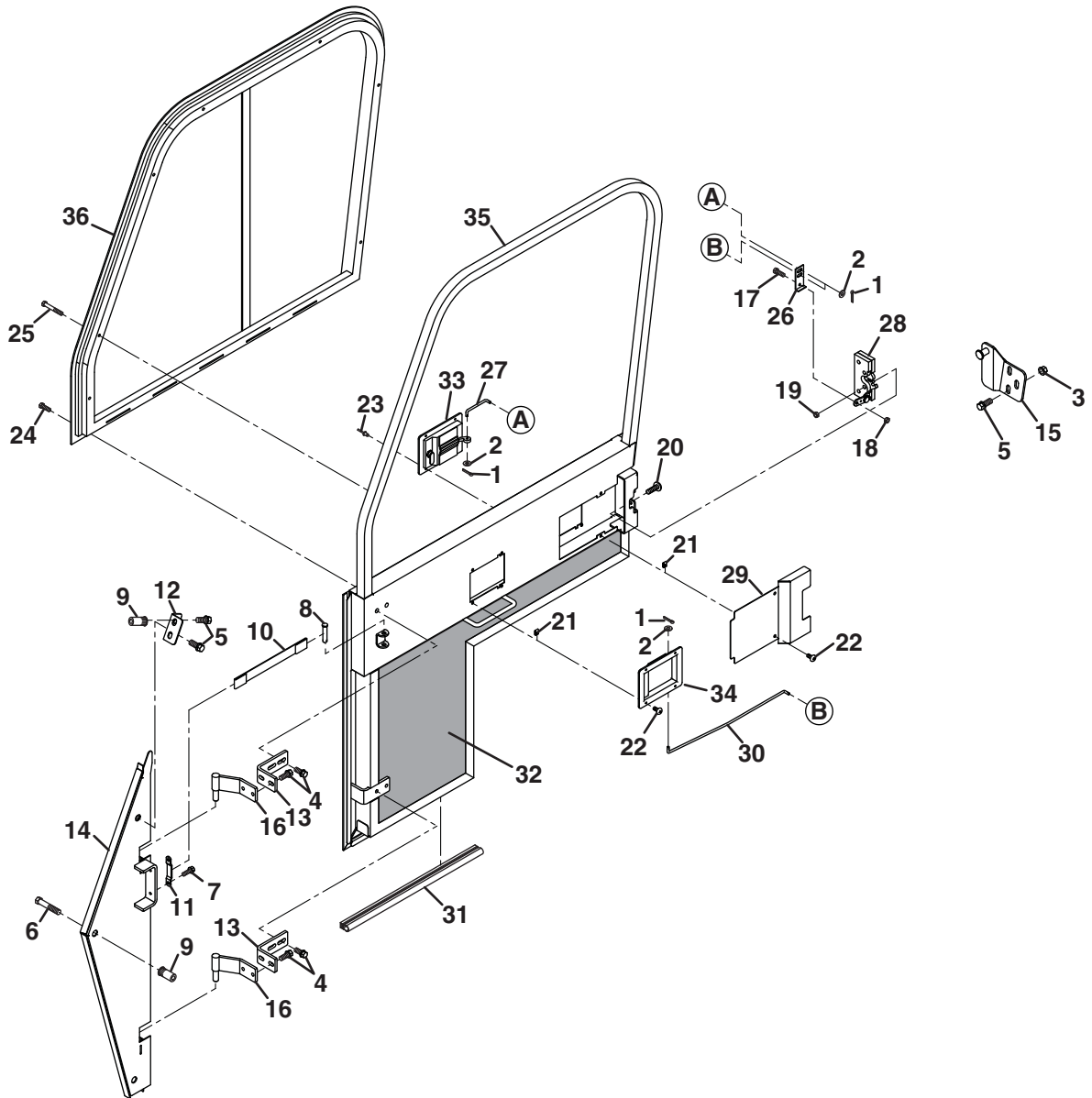
26.1 Steel Door

See 1.1 For Door Kit Part Numbers

Models Accessory will fit

- Haulster Gas
- Truckster Gas
- Haulster Diesel
- Truckster Diesel

Steel Doors cannot be installed on RV models 84069 and 84072.



ACCESSORIES & MODIFICATIONS

Item	Part No.	Qty.	Description	Serial Numbers/Notes
1	306463	4	Cotter Pin, 1/16 x 1/2"	
2	308089	4	Flat Washer, #10	
3	450454	2	Nut, M10-1.5 Hex Flange	Left Side Door
3	450454	3	Nut, M10-1.5 Hex Flange	Right Side Door
4	452388	8	Screw, M8-1.25 x 20 mm Hex Flange	
5	452398	4	Screw, M10-1.5 x 20 mm Hex Flange	Left Side Door
5	452398	5	Screw, M10-1.5 x 20 mm Hex Flange	Right Side Door
6	452402	2	Screw, M10-1.5 x 50 mm Hex Flange	
7	452695	2	Screw, M6-1 x 20 mm Self Tapping	
8	516634	1	Clevis Pin, 3/8 x 1-3/4"	
9	800961	3	Nut, M10-1.5 Insert	See 19.1 for Insert Installation Tool
10	825823	1	Strap	
11	829038	1	Bracket, Strap	
12	844443	1	Mount, Door Support	
13	844697	2	Bracket, Door Mount	
14	894793	1	Support, Door	Left Side Door
14	894794	1	Support, Door	Right Side Door
15	894802	1	Striker, Door	Left Side Door
15	894803	1	Striker, Door	Right Side Door
16	894830	2	Bracket, Door Pivot	Left Side Door
16	894831	2	Bracket, Door Pivot	Right Side Door
17	548900	1	Screw, #10-24 x 1/2" Hex Flange	
18	800053	1	Nut, #10-24 Hex Centerlock	
19	800059	4	Nut, 1/4-20 Hex Centerlock	
20	800263	4	Screw, 1/4-20 x 1-3/4" Pan Head	
21	800339	6	Nut, #10-24 Speed	
22	800344	6	Screw, #10 x 5/8" Self Tapping	
23	800483	4	Pop Rivet, 3/16 x 5/8"	
24	800965	4	Screw, #12-14 x 3/4" Self Tapping	
25	800966	7	Screw, #12-14 x 1-3/4" Self Tapping	
26	828697	1	Arm, Latch	
27	837960	1	Rod, Short	Outside Handle to Latch
28	842463	1	Latch, Door	Left Side Door
28	842464	1	Latch, Door	Right Side Door
29	844707	1	Cover, Door Latch	
30	844782	1	Rod, Inside Door Release	Inside Handle to Latch
31	844945	AR	Seal, Trim	
32	844986	1	Foam, 1" Perforated	Left Side Door
32	844987	1	Foam, 1" Perforated	Right Side Door
33	885927	1	Paddle Handle with Key	
34	885928	1	Paddle Handle	
35	●	1	Door Frame	● See 1.1 for door part number
36	894799	1	Window, Door	Left Side Door
37	894800	1	Window, Door	Right Side Door

> Change from previous

ACCESSORIES & MODIFICATIONS

27.1 Heater and Defroster Accessory

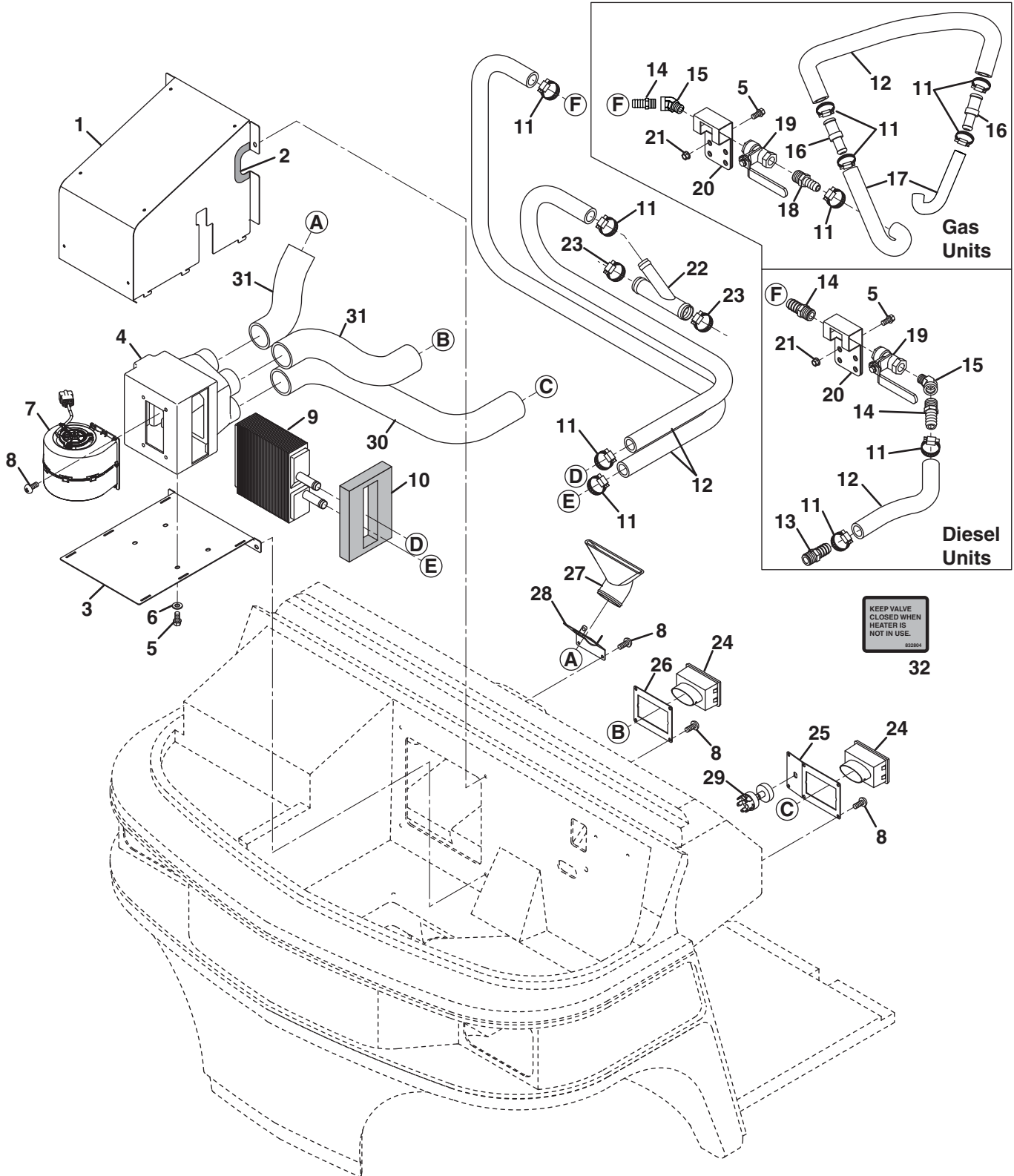
Part No. 53743 (Gas Mod), 53745 (Diesel Mod), 894760 (Field Kit)

Models Accessory will fit

- Haulster Gas ■ Truckster Gas
- Haulster Diesel ■ Truckster Diesel

Heater and Defroster cannot be installed on RV models 84069 and 84072.

Heater and Defroster cannot be installed if accessory harness is already installed.



ACCESSORIES & MODIFICATIONS

Item	Part No.	Qty.	Description	Serial Numbers/Notes
1	894544	1	Cover, Heater	
2	821893	AR	Trim, Push-On	12 Foot Roll, Cut to 4-1/2"
3	844161	1	Panel, Heater Base	
4	844115	1	Housing, Heater Core	
5	800934	6	Screw, M6-1 x 16 mm Hex Flange	
6	450389	4	Flat Washer, M6	
7	894805	1	Fan, Heater	
8	800943	20	Screw, #10-14 x 5/8" Self Tapping	
9	833949	1	Core, Heater	
10	844827	1	Insulation, Heater Housing	
11	832033	9	Clamp, 5/8" to 1" Hose	Gas Units
11	832033	6	Clamp, 5/8 to 1" Hose	Diesel Units
12	845127	AR	Hose, 5/8" I.D. Heater	11 Foot Roll, Cut to length
13	842758	1	Fitting, M15-1.5 x 5/8" Hose Barb	Diesel Units Only
14	833858	1	Fitting, 3/8 NPT x 5/8" Hose Barb	Gas Units
14	833858	2	Fitting, 3/8 NPT x 5/8" Hose Barb	Diesel Units
15	2701241	1	Fitting, 3/8 NPT 45° Fitting	
16	844911	2	Fitting, 5/8" to 1/2" Hose Reducer	Gas Units Only
17	2704073	2	Hose, Molded Heater	Gas Units Only
18	830650	1	Fitting, 3/8 NPT x 1/2" Hose Barb	Gas Units Only
19	833857	1	Valve, Ball Check	
20	833985	1	Clamp, Valve	
21	450452	2	Nut, M6-1 Hex Flange	
22	888856	1	Tube, "Y"	
23	820889	2	Clamp, Hose	
24	833846	2	Louver, Air	
25	844789	1	Mount, Air Louver and Switch	
26	844788	1	Mount, Air Louver	
27	844327	1	Duct, Defroster	
28	844889	1	Bracket, Defroster Duct	
29	894801	1	Switch, Heater 3-Speed	
30	834217	1	Hose, 2" x 29" Heater	
31	36092G01	2	Hose, 2" x 16" Heater	
32	832804	1	Decal, Information	Apply to lower ROPS near valve
33	894806	1	Harness, Heater Fan	Not Shown
34	823549	AR	Cable Tie, 15-1/2"	Not Shown

> Change from previous

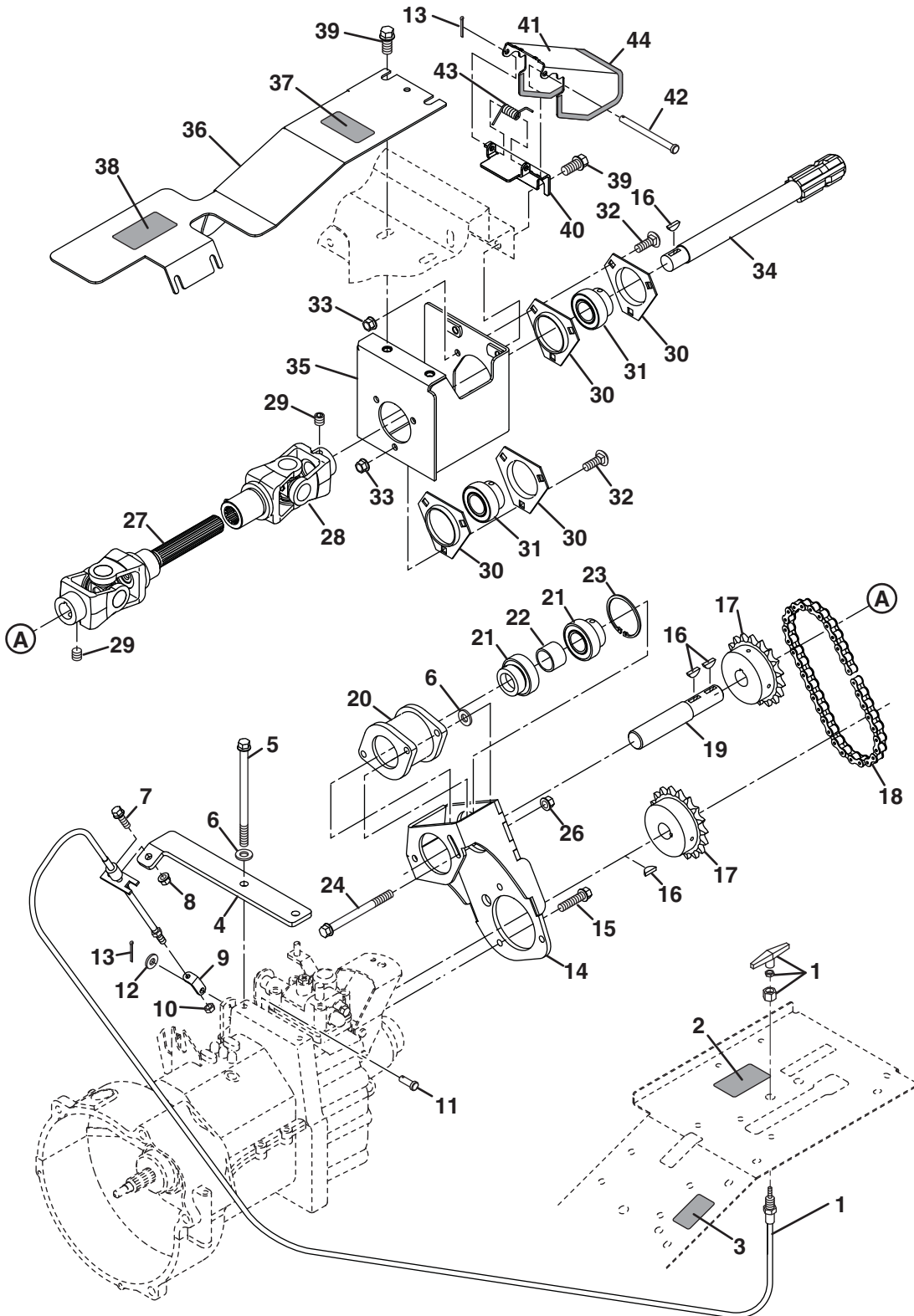
ACCESSORIES & MODIFICATIONS

28.1 Mechanical PTO Accessory

Part No. 4112981 and Mod 53726

Models Accessory will fit

- | | |
|--|--|
| <input type="checkbox"/> Haulster Gas | <input type="checkbox"/> Truckster Gas |
| <input type="checkbox"/> Haulster Diesel | <input checked="" type="checkbox"/> Truckster Diesel |



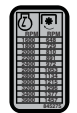
38



37



2



3

ACCESSORIES & MODIFICATIONS

Item	Part No.	Qty.	Description	Serial Numbers/Notes
1	893067	1	PTO Control Cable	
2	840851	1	Decal, PTO Cable	
3	845275	1	Decal, Engine/PTO RPM	
4	4112763.7	1	Bracket, PTO Cable	
5	4116937	2	Screw, M8-1.25 x 130 mm Hex Flange	
6	453009	4	Flat Washer, 5/16	
7	452378	1	Screw, M6-1 x 20 mm Hex Flange	
8	450452	1	Nut, M6-1 Hex Flange	
9	808689	1	Bracket, PTO Cable	
10	444312	2	Nut, #10-32 Hex	
11	813379	1	Clevis Pin, 1/4 x 11/16"	
12	453023	1	Flat Washer, 1/4	
13	460014	2	Cotter Pin, 3/32 x 3/4"	
14	2703810.7	1	Bracket, PTO	
15	452390	3	Screw, M8-1.25 x 30 mm Hex Flange	
16	463017	4	Key, Woodruff	
17	4112861	2	Sprocket, #50 18 tooth	
18	4113006	1	Chain, #50 Roller	
	4113364	1	• Master Link, #50 Sealed Chain	
19	2703855	1	Shaft, PTO	
20	4111901.7	1	Mount, Bearing	
21	548128	2	Bearing	
22	4112088	1	Spacer	
23	815087	1	Ring, Internal Retaining	
24	452396	2	Screw, M8-1.25 x 90 mm Hex Flange	
25	320107	1	Cable Tie (Not Shown)	Secure PTO Cable to bed frame
26	450453	2	Nut, M8-1.25 Hex Flange	
27	4185487	1	Universal Joint	
28	888406	1	Universal Joint	
29	548204	2	Set Screw, 3/8-16 x 5/16"	
30	522723	4	Housing, Flange	
31	545786	2	Bearing, Ball	
32	440082	6	Carriage Bolt, 5/16-18 x 1"	
33	445781	6	Nut, 5/16-18 Whizlock Flange	
34	831300	1	Shaft, PTO Output	
35	894723	1	Bracket, PTO Shaft	
36	4185488	1	Shield, Mechanical PTO	
37	844643	1	Decal, PTO Cover Warning	
38	840909	1	Decal, Warning	
39	452398	4	Screw, M10-1.5 x 20 mm Hex Flange	
40	844305	1	Bracket, PTO Cover Mount	
41	844304	1	Cover, PTO	
42	844777	1	Clevis Pin, 1/4 x 3"	
43	844778	1	Spring, Torsion	
44	821893	AR	Trim, Black	

> Change from previous

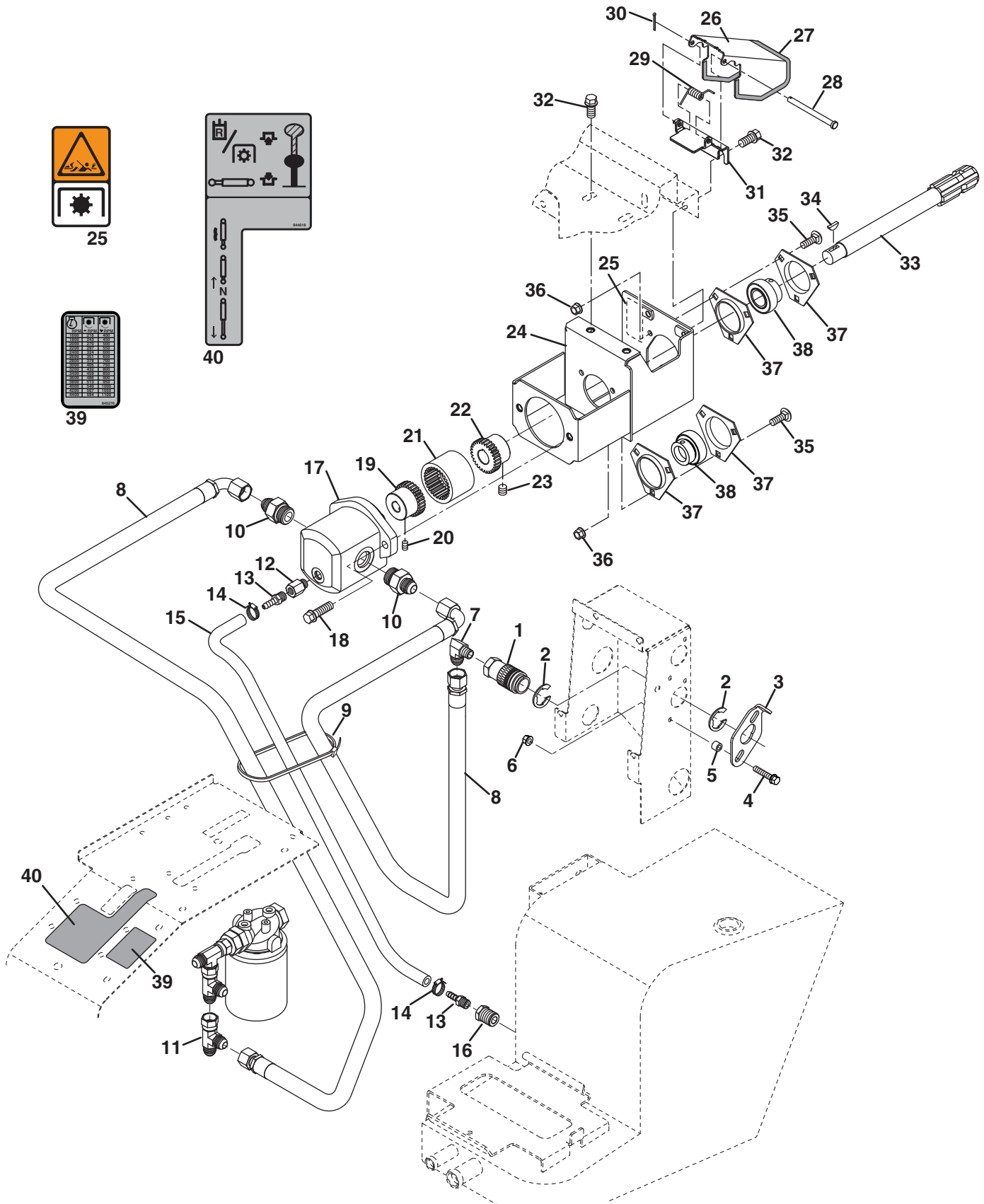
ACCESSORIES & MODIFICATIONS

29.1 Hydraulic PTO

Part No. 894644 and Mod 53716 (Requires Hi-Lo Kit)

Models Accessory will fit

- | | |
|--|--|
| <input type="checkbox"/> Haulster Gas | <input checked="" type="checkbox"/> Truckster Gas |
| <input type="checkbox"/> Haulster Diesel | <input checked="" type="checkbox"/> Truckster Diesel |



ACCESSORIES & MODIFICATIONS

Item	Part No.	Qty.	Description	Serial Numbers/Notes
1	894701	1	Coupler, Hydraulic Dryseal	
2	832414	2	Ring, Retaining	
3	844937	1	Plate, Coupler Retainer	
4	452380	2	Screw, M6-1 x 30 mm Hex Flange	
5	844973	2	Bushing	
6	450452	2	Nut, M6-1 Hex Flange	
7	844648	1	Fitting, -8 JIC x 3/8 NPT 90°	
8	844650	2	Hose, Hydraulic PTO	
9	423549	4	Cable Tie	
10	844649	2	Fitting, -10 JIC x -12 ORB Straight	
	339900	1	• O-Ring, -12 ORB	
11	844627	1	Fitting, -8 JIC Swivel Tee	
12	844651	1	Fitting, -6 ORB x 1/4 NPT	
	339897	1	• O-Ring, -6 ORB	
13	843303	2	Fitting, Hose Barb	
14	825624	2	Clamp, Hose	
15	826590	AR	Hose, PTO Motor Case Drain	12 Foot Roll, Cut to Length
16	830816	1	Adapter, 1/2 NPT x 1/4 NPT	
17	894640	1	Motor, Hydraulic PTO	
	4114698	1	• Seal Kit	
18	452400	2	Screw, M10-1.5 x 30 mm Hex Flange	
19	844159	1	Hub, 5/8" I.D. Coupler	
20	800274	1	Set Screw, 1/4-20 x 5/16"	
21	523323	1	Sleeve, Coupler	
22	844158	1	Hub, 7/8" I.D. Coupler	
23	548204	1	Set Screw, 3/8-16 x 5/16"	
24	895118	1	Mount, Hydraulic PTO	
25	844943	1	• Decal, PTO Warning	
26	844304	1	Cover, PTO	
27	821893	AR	Trim, Black	11 Foot Roll, Cut to Length
28	844777	1	Clevis Pin, 1/4 x 3"	
29	844778	1	Spring, Torsion	
30	460014	1	Cotter Pin, 3/32 x 3/4"	
31	844305	1	Bracket, PTO Cover Mount	
32	452398	4	Screw, M10-1.5 x 20 mm Hex Flange	
33	831300	1	Shaft, PTO	
34	463017	1	Key, Woodruff	
35	440082	6	Carriage Bolt, 5/16-18 x 1"	
36	445781	6	Nut, 5/16-18 Whizlock Flange	
37	522723	4	Housing, Flange	
38	545786	2	Bearing, Ball	
39	845276	1	Decal, Engine to PTO RPM	
40	844618	1	Decal, Hydraulic and PTO Operation	

> Change from previous

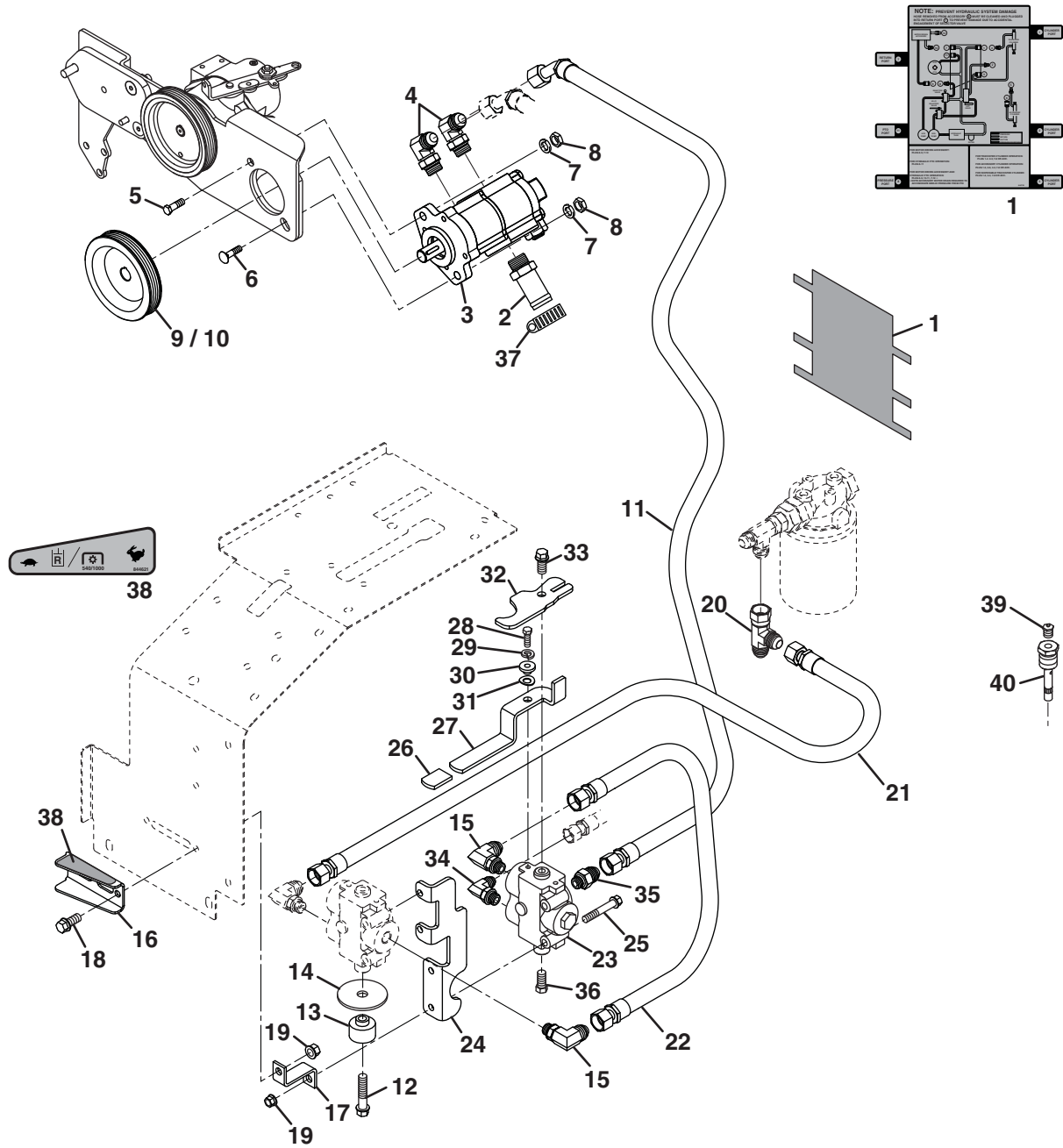
ACCESSORIES & MODIFICATIONS

30.1 Gas Hi-Lo Hydraulics Kit

Part No. 4117940 and Mod 4117942

Models Accessory will fit

- | | |
|--|---|
| <input type="checkbox"/> Haulster Gas | <input checked="" type="checkbox"/> Truckster Gas |
| <input type="checkbox"/> Haulster Diesel | <input type="checkbox"/> Truckster Diesel |



ACCESSORIES & MODIFICATIONS

Item	Part No.	Qty.	Description	Serial Numbers/Notes
1	844792	1	Decal, Hydraulic Backpack	
2	839556	1	Fitting, -12 ORB x 1" Barbed Straight	
	339900	1	• O-Ring, -12 ORB	
3	894674	1	Pump, Tandem Hydraulic	
	2700260	1	• Seal Kit	
	4155684	1	• Key, Pump	
4	844626	2	Fitting, -8 MJIC x -8 ORB 90°	
	339898	1	• O-Ring, -8 ORB	
5	400266	1	Screw, 3/8-16 x 1-1/2" Hex Head	
6	800073	1	Carriage Bolt, 3/8-16 x 1-1/4"	
7	446140	2	Lockwasher, 3/8	
8	443110	2	Nut, 3/8-16 Hex	
9	4139290	1	Pulley, 4 Groove Micro-V 4.34 O.D.	Used on 84056 and 84057
10	4139291	1	Pulley, 4 Groove Micro-V 4.06 O.D.	Used on 84061 Only
11	844629	1	Hose, Pump to Lower Selector Valve	
12	800477	1	Screw, 3/8-16 x 1-3/4" Hex Flange	
13	838472	1	Bushing	
14	809174	1	Washer, 3/8	
15	844571	2	Fitting, -8MJIC x -6 ORB 90°	
	339897	1	• O-Ring, -6 ORB	
16	844609	1	Cover, Lever	
17	844640	1	Bracket, Lower Valve	
18	452388	2	Screw, M8-1.25 x 20 mm Hex Flange	
19	450453	4	Nut, M8-1.25 Hex Flange	
20	844627	1	Tee, -8 MJIC Swivel	
21	844630	1	Hose, Upper Selector Valve to Filter Tee	
22	844631	1	Hose, Selector Valve Connection	
23	894696	1	Valve, Hydraulic Selector	
	4156544	1	• Seal Kit	
24	844589	1	Bracket, Valve Mount	
25	452392	2	Screw, M8-1.25 x 50 mm Hex Flange	
26	844570	1	Cap, Vinyl	
27	844594	1	Lever, High-Low Engagement	
28	400108	1	Screw, 1/4-20 x 3/4" Hex Head	
29	446128	1	Lockwasher, 1/4	
30	844586	1	Bushing, Shoulder	
31	800254	1	Spring Washer, 3/8	
32	844588	1	Plate, Engagement	
33	800385	1	Screw, 3/8-16 x 3/4" Hex Flange	
34	826558	1	Fitting, -6 MJIC x -6 ORB 90°	
	339897	1	• O-Ring, -6 ORB	
35	844652	1	Fitting, -8 MJIC x -6 ORB Straight	
	339897	1	• O-Ring, -6 ORB	
36	400258	1	Screw, 3/8-16 x 3/4" Hex Head	
37	836206	1	Clamp, Hose	
38	844621	1	Decal, High-Low Hydraulics	
39	471242	1	Fitting, Vent	
40	887085	1	Dipstick, Hydraulic	

> Change from previous

ACCESSORIES & MODIFICATIONS

31.1 Diesel Hi-Lo Hydraulics Kit

Part No. 894713 and Mod 53718

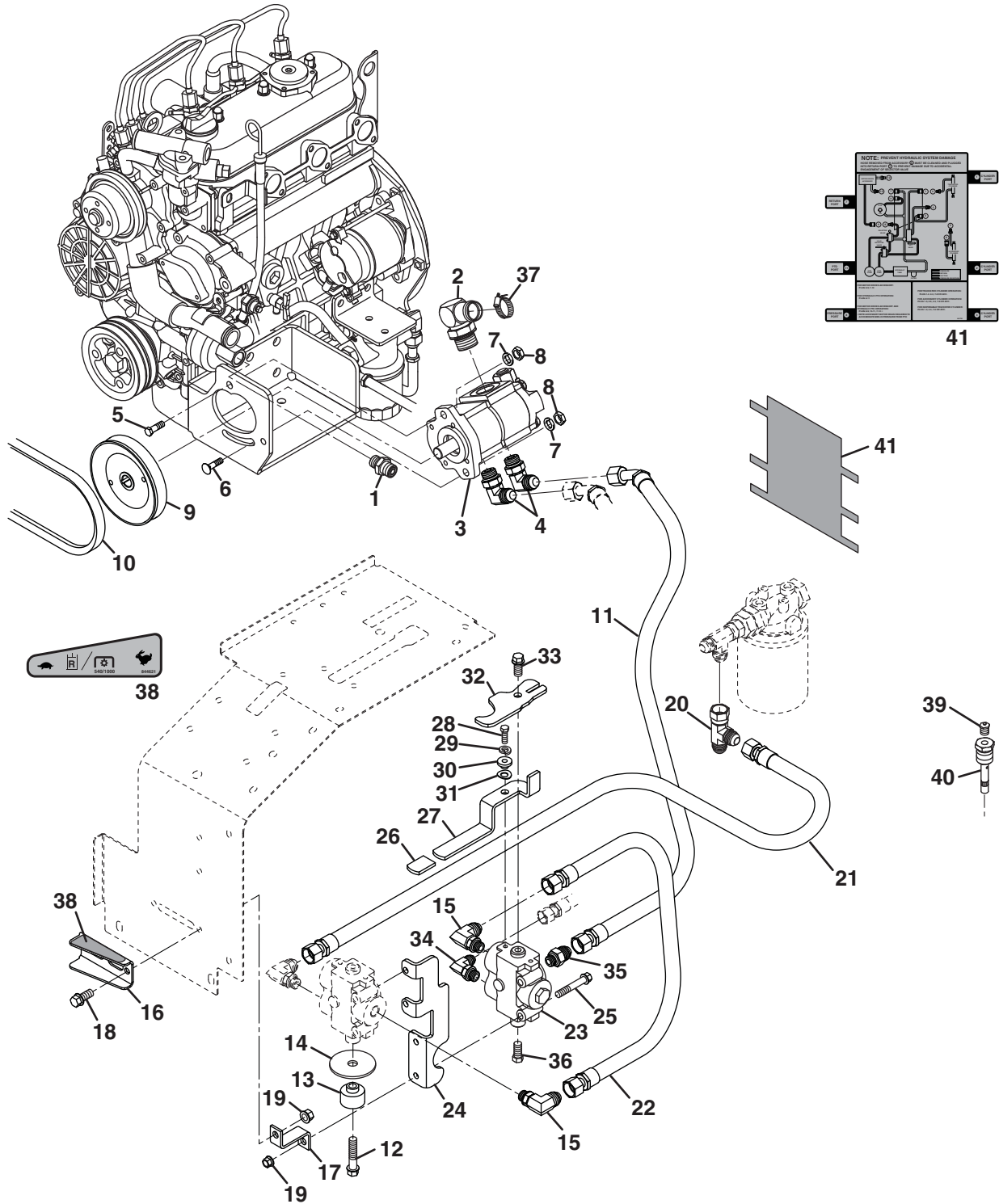
Models Accessory will fit

Haulster Gas

Truckster Gas

Haulster Diesel

Truckster Diesel



ACCESSORIES & MODIFICATIONS

Item	Part No.	Qty.	Description	Serial Numbers/Notes
1	4190700	1	Fitting, M16 x -6 ORFS Straight	
2	839557	1	Fitting, -12 ORB x 1" Barbed 90°	
	339900	1	• O-Ring, -12 ORB	
3	894674	1	Pump, Tandem Hydraulic	
	2700260	1	• Seal Kit	
	4155684	1	• Key, Pump	
4	844626	2	Fitting, -8 MJIC x -8 ORB 90°	
	339898	1	• O-Ring, -8 ORB	
5	400266	1	Screw, 3/8-16 x 1-1/2" Hex Head	
6	800073	1	Carriage Bolt, 3/8-16 x 1-1/4"	
7	446140	2	Lockwasher, 3/8	
8	443110	2	Nut, 3/8-16 Hex	
9	844560	1	Pulley, 4-3/4" Diameter	
10	841966	1	Belt, V	
11	844629	1	Hose, Pump to Lower Selector Valve	
12	800477	1	Screw, 3/8-16 x 1-3/4" Hex Flange	
13	838472	1	Bushing	
14	809174	1	Washer, 3/8	
15	844571	2	Fitting, -8MJIC x -6 ORB 90°	
	339897	1	• O-Ring, -6 ORB	
16	844609	1	Cover, Lever	
17	844640	1	Bracket, Lower Valve	
18	452388	2	Screw, M8-1.25 x 20 mm Hex Flange	
19	450453	4	Nut, M8-1.25 Hex Flange	
20	844627	1	Tee, -8 MJIC Swivel	
21	844630	1	Hose, Upper Selector Valve to Filter Tee	
22	844631	1	Hose, Selector Valve Connection	
23	894696	1	Valve, Hydraulic Selector	
	4156544	1	• Seal Kit	
24	844589	1	Bracket, Valve Mount	
25	452392	2	Screw, M8-1.25 x 50 mm Hex Flange	
26	844570	1	Cap, Vinyl	
27	844594	1	Lever, High-Low Engagement	
28	400108	1	Screw, 1/4-20 x 3/4" Hex Head	
29	446128	1	Lockwasher, 1/4	
30	844586	1	Bushing, Shoulder	
31	800254	1	Spring Washer, 3/8	
32	844588	1	Plate, Engagement	
33	800385	1	Screw, 3/8-16 x 3/4" Hex Flange	
34	826558	1	Fitting, -6 MJIC x -6 ORB 90°	
	339897	1	• O-Ring, -6 ORB	
35	844652	1	Fitting, -8 MJIC x -6 ORB Straight	
	339897	1	• O-Ring, -6 ORB	
36	400258	1	Screw, 3/8-16 x 3/4" Hex Head	
37	836206	1	Clamp, Hose	
38	844621	1	Decal, High-Low Hydraulics	
39	471242	1	Fitting, Vent	
40	887085	1	Dipstick, Hydraulic	
41	844792	1	Decal, Hydraulic Backpack	

> Change from previous

ACCESSORIES & MODIFICATIONS

32.1 Core Harvester

Part No. 4119652

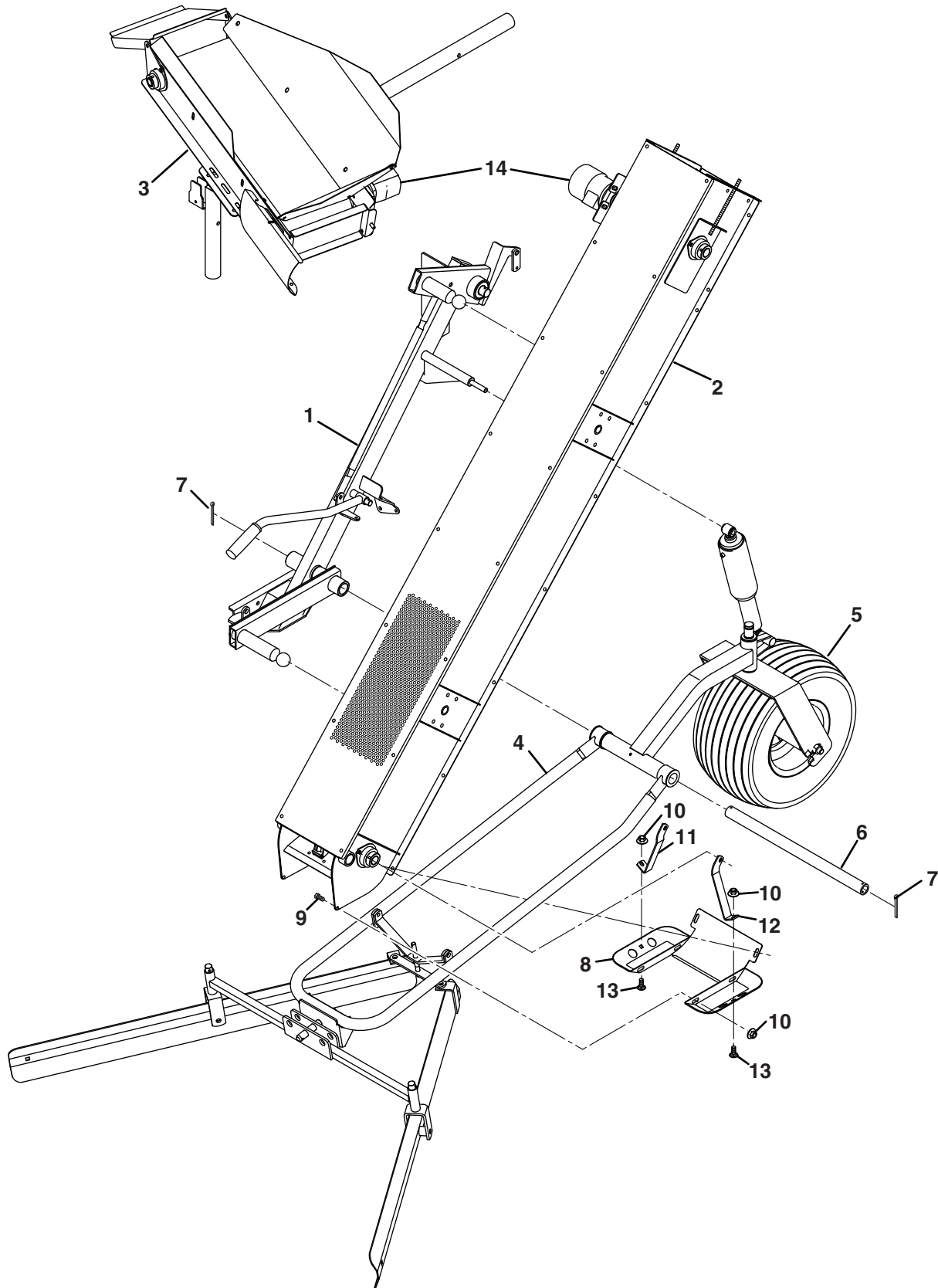
Models Accessory will fit

☐ Haulster Gas

■ Truckster Gas

☐ Haulster Diesel

■ Truckster Diesel



ACCESSORIES & MODIFICATIONS

Item	Part No.	Qty.	Description	Serial Numbers/Notes
1	REF	1	Main Frame	See 33.1
2	REF	1	Elevator Assembly	See 34.1
3	REF	1	Conveyor Assembly	See 36.1
4	REF	1	Windrow Blade Assembly	See 38.1
5	REF	1	Caster Pivot Assembly	See 39.1
6	832312	1	Pin, Main Pivot	
7	325105	2	Cotter Pin, 5/32 x 1-3/4"	
8	887963	1	Shoe, Elevator	
9	400182	2	Screw, 5/16-18 x 5/8" Hex Head	
10	445791	4	Nut, 5/16-18 Whizlock Flange	
11	832391	1	Brace, Right Side Shoe	
12	832392	1	Brace, Left Side Shoe	
13	441602	2	Carriage Bolt, 5/16-18 x 3/4"	
14	REF	1	Hydraulic Connections	See 40.1

> Change from previous

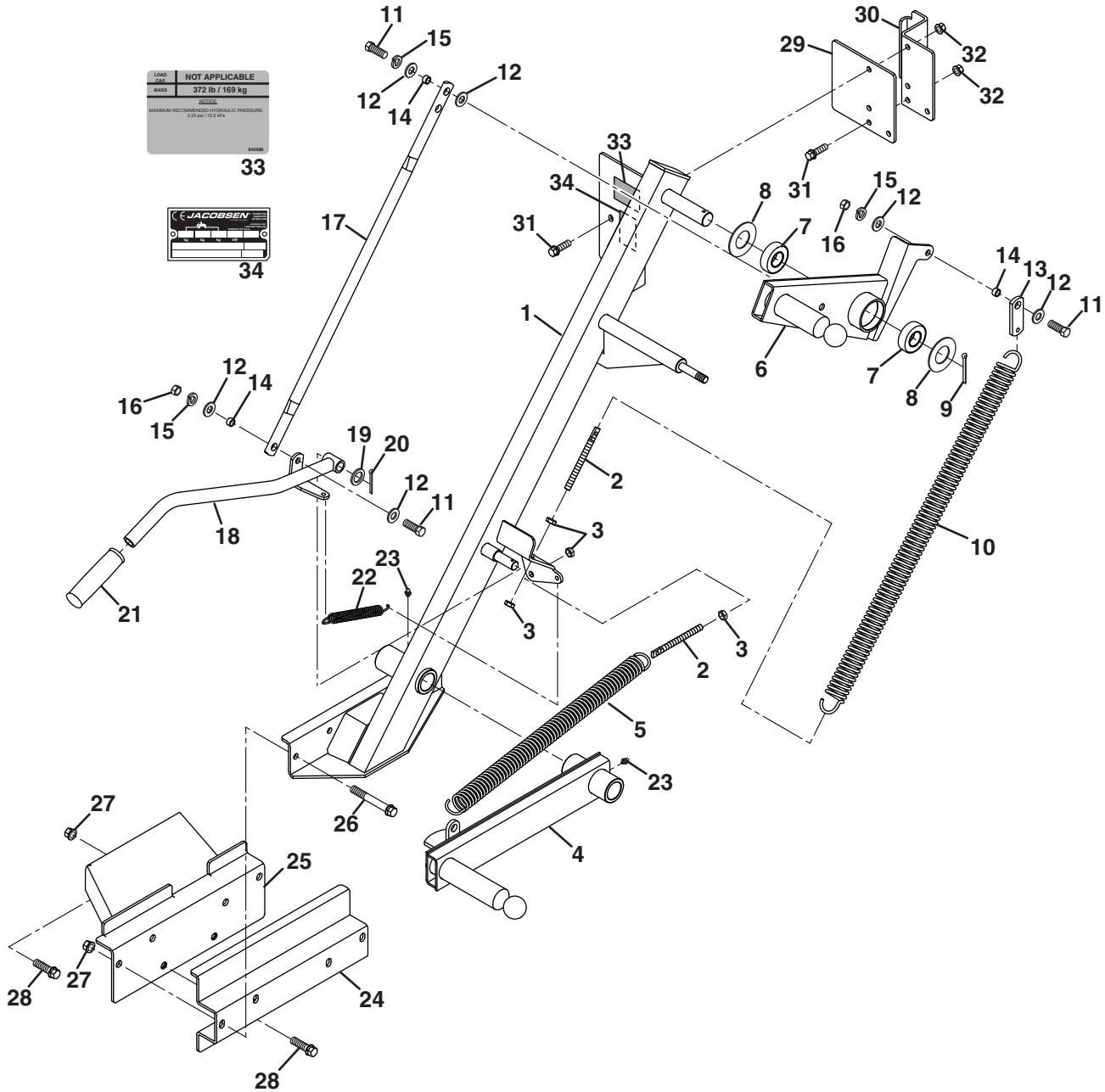
ACCESSORIES & MODIFICATIONS

33.1 Main Frame

Part of Core Harvester Accessory, Part No. 4119652

Models Accessory will fit

- Haulster Gas Truckster Gas
- Haulster Diesel Truckster Diesel



ACCESSORIES & MODIFICATIONS

Item	Part No.	Qty.	Description	Serial Numbers/Notes
1	890116	1	Frame, Main	
2	832438	2	Screw, 3/8-16 Spring Adjuster	
3	443810	4	Nut, 3/8-16 Hex Jam	
4	887961	1	Link, Lower	
5	832525	1	Spring, Lower Tension	
6	887970	1	Link, Upper	
7	832412	2	• Bearing, Ball	
8	520374	2	Spacer	
9	325109	1	Cotter Pin, 5/32 x 1-3/4"	
10	832322	1	Spring, Upper Tension	
11	400262	3	Screw, 3/8-16 x 1" Hex Head	
12	453011	6	Flat Washer, 3/8	
13	832291	1	Bar, Spring Mount	
14	521679	3	Bushing	
15	446140	3	Lockwasher, 3/8	
16	443110	2	Nut, 3/8-16 Hex	
17	832320	1	Tube, Handle Link	
18	888271	1	Handle	
19	548165	1	Flat Washer, 5/8 Special	
20	304635	1	Cotter Pin, 1/8 x 1"	
21	548484	1	Grip, Handle	
22	812368	1	Spring, Handle	
23	2702168	2	Grease Fitting	
24	844797	1	Mount, Frame to ROPS	
25	894698	1	Bracket, Mounting	
26	452404	4	Screw, M10-1.5 x 70 mm Hex Flange	
27	450454	6	Nut, M10-1.5 Hex Flange	
28	452400	4	Screw, M10-1.5 x 30 mm Hex Flange	
29	844668	1	Plate, Clamping	
30	844798	1	Bracket, Clamping	
31	452389	4	Screw, M8-1.25 x 25 mm Hex Flange	
32	450453	4	Nut, M8-1.25 Hex Flange	
33	840988	1	Decal, Core Harvester Info	
34	REF	1	Serial Plate	

> Change from previous

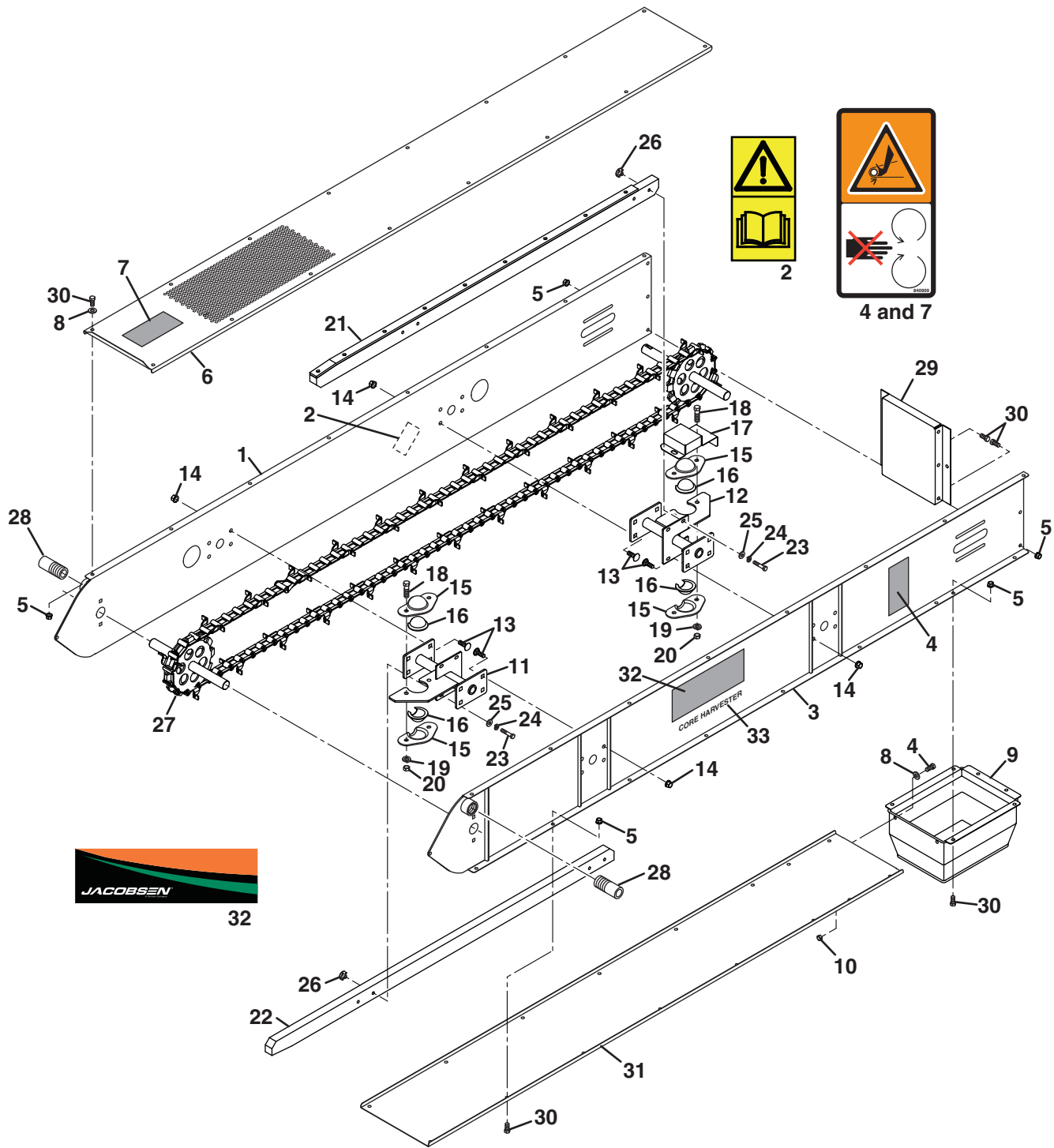
ACCESSORIES & MODIFICATIONS

34.1 Elevator

Part of Core Harvester Accessory, Part No. 4119652

Models Accessory will fit

- | | |
|--|--|
| <input type="checkbox"/> Haulster Gas | <input checked="" type="checkbox"/> Truckster Gas |
| <input type="checkbox"/> Haulster Diesel | <input checked="" type="checkbox"/> Truckster Diesel |



ACCESSORIES & MODIFICATIONS

Item	Part No.	Qty.	Description	Serial Numbers/Notes
1	890128	1	Right Side Channel	
2	009034910	1	• Decal, Instruction	
3	890129	1	Left Side Channel	
4	840909	1	• Decal, Hand Injury Warning	
5	445781	44	Nut, 5/16-18 Whizlock Flange	
6	890130	1	Channel, Top	
7	840909	1	• Decal, Hand Injury Warning	
8	453009	18	Flat Washer, 5/16	
9	888002	1	Boot Assembly	
10	444718	2	Locknut, 5/16-18 Hex Center	
11	887977	1	Pivot, Lower Mounting	
12	887978	1	Pivot, Upper Mounting	
13	800236	16	Carriage Bolt, 3/8-16 x 3/4"	
14	445783	16	Nut, 3/8-16 Whizlock Flange	
15	823025	4	Cap, Ball Joint	
16	832300	4	Bushing, Ball	
17	832940	1	Cover, Upper Ball Joint	
18	400264	4	Screw, 3/8-16 x 1-1/4" Hex Head	
19	446140	4	Lockwasher, 3/8	
20	443110	4	Nut, 3/8-16 Hex	
21	888077	1	Upper Chain Support	
	800520	9	• Screw, #8 x 3/4" Wood	
	832533	1	• Strip, Wear	
22	832336	1	Lower Chain Support	
23	400114	8	Screw, 1/4-20 x 1-1/4" Hex Head	
24	446128	8	Lockwasher, 1/4	
25	453023	8	Flat Washer, 1/4	
26	810386	8	Tee Nut, 1/4-20 Long Prong	
27	REF	1	Chain Assembly	See 35.1
28	832430	2	Nipple, Pipe	
29	832372	1	End, Elevator	
30	400182	44	Screw, 5/16-18 x 5/8" Hex Head	
31	837261	1	Channel, Bottom	
32	4152420	1	Decal, Jacobsen	
33	839216	1	Decal, Core Harvester	

> Change from previous

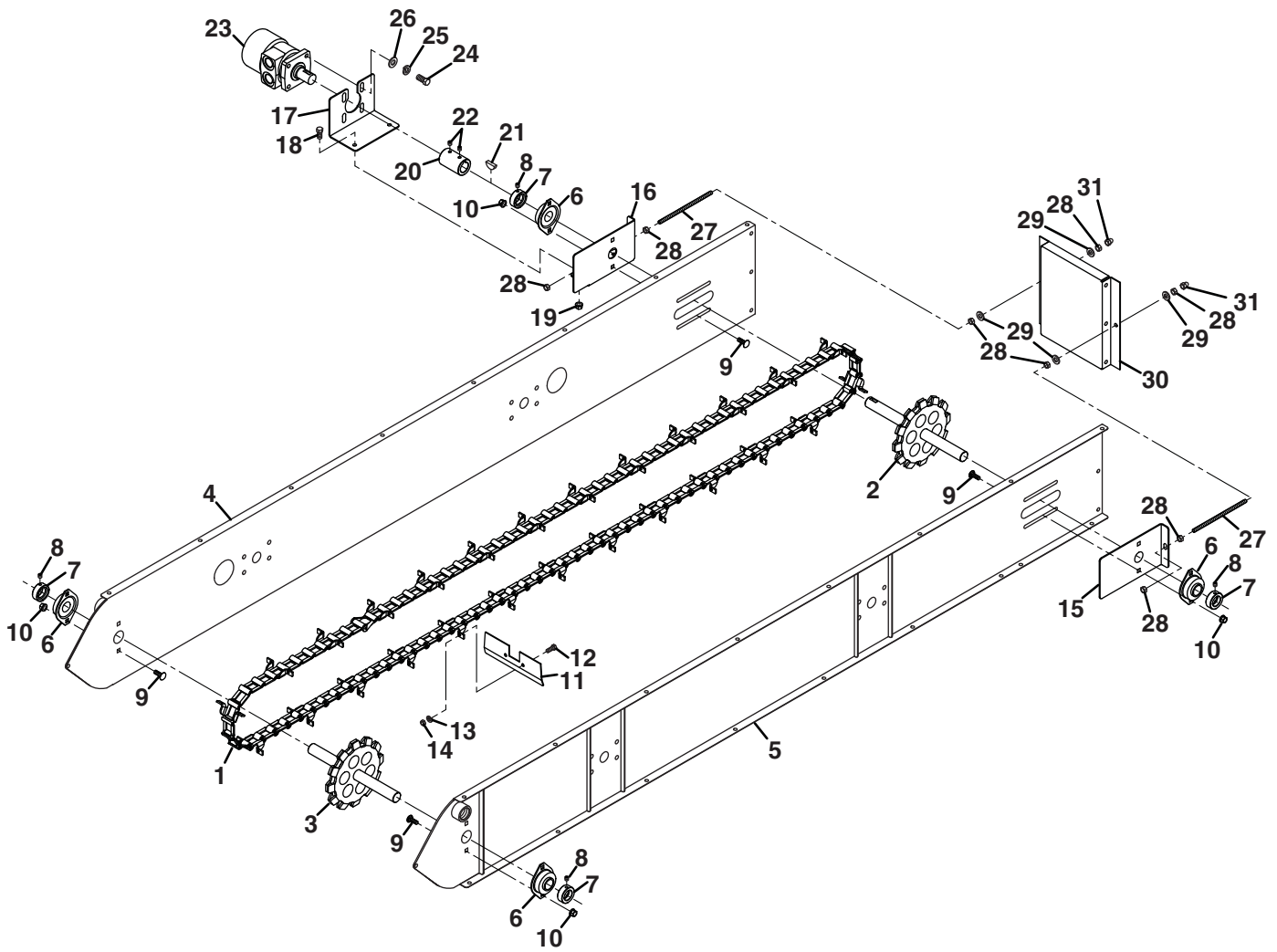
ACCESSORIES & MODIFICATIONS

35.1 Chain Assembly

Part of Core Harvester Accessory, Part No. 4119652

Models Accessory will fit

- | | |
|--|--|
| <input type="checkbox"/> Haulster Gas | <input checked="" type="checkbox"/> Truckster Gas |
| <input type="checkbox"/> Haulster Diesel | <input checked="" type="checkbox"/> Truckster Diesel |



ACCESSORIES & MODIFICATIONS

Item	Part No.	Qty.	Description	Serial Numbers/Notes
1	887993	1	Chain Assembly	
	832421	1	• Coupler, Chain	
	832422	77	• Chain Link	
	832423	26	• Attachment Chain Link	
2	887959	1	Sprocket, Drive	
3	887958	1	Sprocket, Driven	
4	890120	1	Right Side Channel	See 34.1
5	890121	1	Left Side Channel	See 34.1
6	832405	4	Ball Bearing, Flush Mount	
7	832440	4	Collar, Bearing	
8	N/S	1	• Set Screw	
9	441602	8	Carriage Bolt, 5/16-18 x 3/4"	
10	445781	8	Nut, 5/16-18 Whizlock Flange	
11	832334	26	Paddle, Elevator	
12	400106	52	Screw, 1/4-20 x 5/8" Hex Head	
13	446128	52	Lockwasher, 1/4	
14	443102	52	Nut, 1/4-20 Hex	
15	832362	1	Slide, Bearing	
16	832360	1	Slide, Motor	
17	832361	1	Mount, Motor	
18	400182	2	Screw, 5/16-18 x 5/8" Hex Head	
19	445781	2	Nut, 5/16-18 Whizlock Flange	
20	832294	1	Coupler	
21	463021	1	Key, 1/4 x 7/8" Woodruff	
22	548205	1	Set Screw, 1/4-20 x 1/4"	
23	887989	1	Motor, Hydraulic	See 40.1 for hydraulic connections.
	503372	1	• Seal Kit	
	463021	1	• Key, 1/4 x 7/8" Woodruff	
24	400258	4	Screw, 3/8-16 x 3/4" Hex Head	
25	446140	4	Lockwasher, 3/8	
26	453011	4	Flat Washer, 3/8	
27	832299	2	Rod, 5/16-18 x 6-3/4"	
28	443106	8	Nut, 5/16-18 Hex	
29	453009	4	Flat Washer, 5/16	
30	832372	1	End, Elevator	See 34.1
31	800300	2	Nut, 5/16-18 Hex Acorn	

> Change from previous

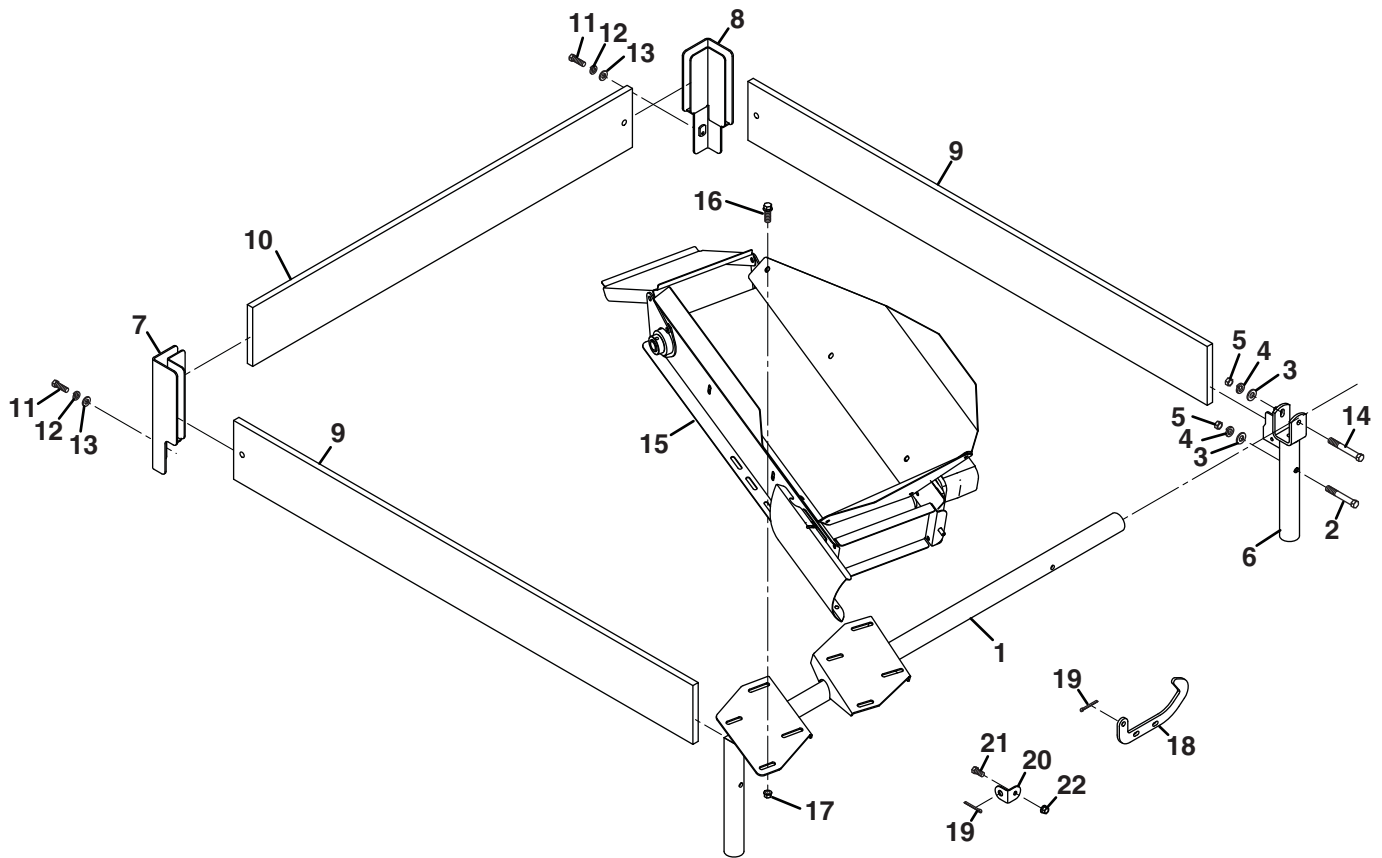
ACCESSORIES & MODIFICATIONS

36.1 Conveyor Mount

Part of Core Harvester Accessory, Part No. 4119652

Models Accessory will fit

- | | |
|--|--|
| <input type="checkbox"/> Haulster Gas | <input checked="" type="checkbox"/> Truckster Gas |
| <input type="checkbox"/> Haulster Diesel | <input checked="" type="checkbox"/> Truckster Diesel |



ACCESSORIES & MODIFICATIONS

Item	Part No.	Qty.	Description	Serial Numbers/Notes
1	894845	1	Conveyor Mount	
2	400274	2	Screw, 3/8-16 x 2-1/2" Hex Head	
3	453011	3	Flat Washer, 3/8	
4	446140	3	Lockwasher, 3/8	
5	443110	3	Nut, 3/8-16 Hex	
6	888274	1	Stake Bracket	
7	888267	1	Mount, Front Stake Pocket	
8	888268	1	Mount, Rear Stake Pocket	
9	N/S	2	Board, 5/8 x 6 x 54-1/8	Obtain Locally
10	N/S	1	Board, 5/8 x 6 x 44-3/4"	Obtain Locally
11	400188	2	Screw, 5/16-18 x 1" Hex Head	
12	446134	2	Lockwasher, 5/16	
13	453009	2	Flat Washer, 5/16	
14	400286	1	Screw, 3/8-16 x 2-3/4" Hex Head	
15	REF	1	Conveyor Assembly	See 37.1
16	452389	4	Screw, M8-1.25 x 25 mm Hex Flange	
17	450453	4	Nut, M8-1.25 Hex Flange	
18	830950	1	Arm, Latch Release	
19	460014	2	Cotter Pin, 3/32 x 3/4"	
20	823038	1	Bracket, Rod Support	
21	400182	1	Screw, 5/16-18 x 5/8" Hex Head	
22	445781	1	Nut, 5/16-18 Hex Flange	

> Change from previous

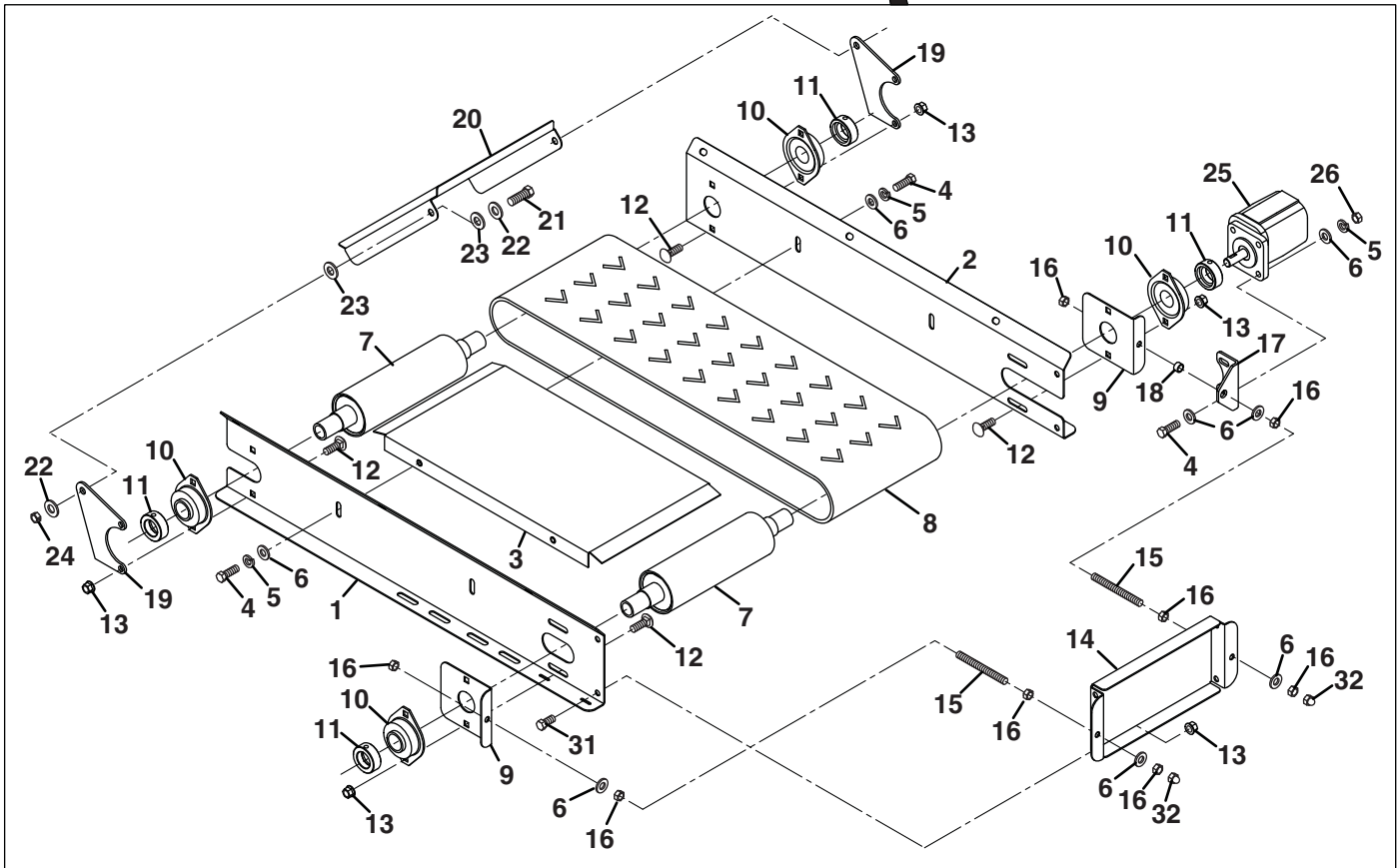
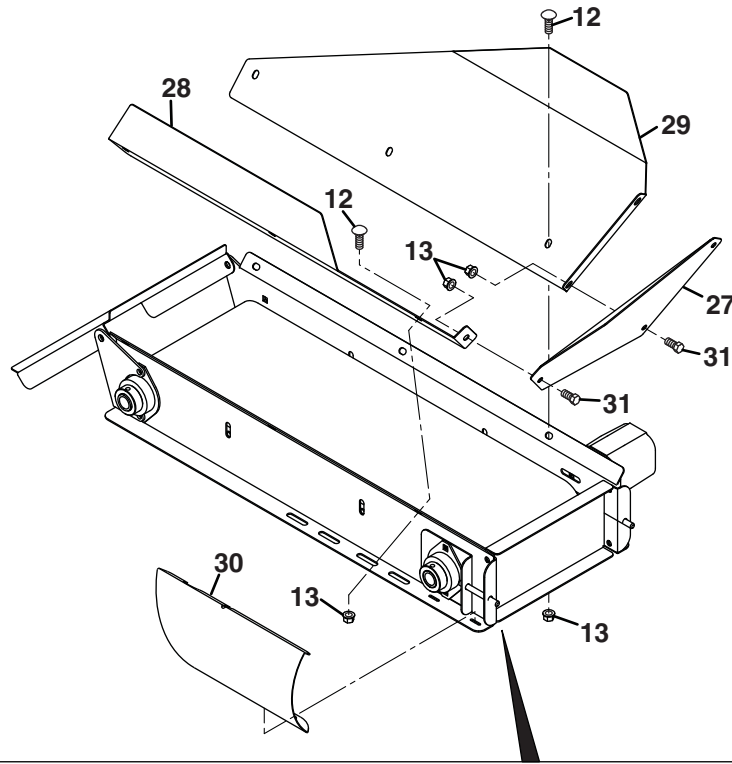
ACCESSORIES & MODIFICATIONS

37.1 Conveyor

Part of Core Harvester Accessory, Part No. 4119652

Models Accessory will fit

- | | |
|--|--|
| <input type="checkbox"/> Haulster Gas | <input checked="" type="checkbox"/> Truckster Gas |
| <input type="checkbox"/> Haulster Diesel | <input checked="" type="checkbox"/> Truckster Diesel |



ACCESSORIES & MODIFICATIONS

Item	Part No.	Qty.	Description	Serial Numbers/Notes
1	832376	1	Channel, Left Side Conveyor	See 40.1 for hydraulic connections.
2	832378	1	Channel, Right Side Conveyor	
3	887965	1	Support, Belt	
4	400186	6	Screw, 5/16-18 x 7/8" Hex Head	
5	446134	6	Lockwasher, 5/16	
6	453009	10	Flat Washer, 5/16	
7	887980	2	Roller, Belt	
8	832406	1	Belt, Conveyor	
	888415	1	• Lacing Kit	
9	832349	2	Angle, Stretcher	
10	832405	4	Ball Bearing, Flush Mount	
11	832440	4	Collar, Locking	
12	441602	14	Carriage Bolt, 5/16-18 x 3/4"	
13	445781	21	Nut, 5/16-18 Whizlock Flange	
14	832369	1	End, Channel	
15	830661	2	Threaded Rod, 5/16-24 x 3"	
16	443108	8	Nut, 5/16-24 Hex	
17	832385	1	Brace, Motor	
18	819337	1	Bushing	
19	837160	2	Plate, Side	
20	837163	1	Deflector, Core	
21	400262	2	Screw, 3/8-16 x 1" Hex Head	
22	453011	4	Flat Washer, 3/8	
23	523183	4	Washer, Nylon	
24	444762	2	Locknut, 3/8-16 Center	
25	832401	1	Motor, Conveyor	
	553046	1	• Key, #3 Woodruff	
	833237	1	• Seal Kit	
26	443106	2	Nut, 5/16-18 Hex	
27	832352	1	Cover, End	
28	832370	1	Cover, Left Side Belt	
29	832371	1	Cover, Right Side Belt	
30	833025	1	Deflector, Boot	
31	400186	7	Screw, 5/16-18 x 5/8" Hex Head	

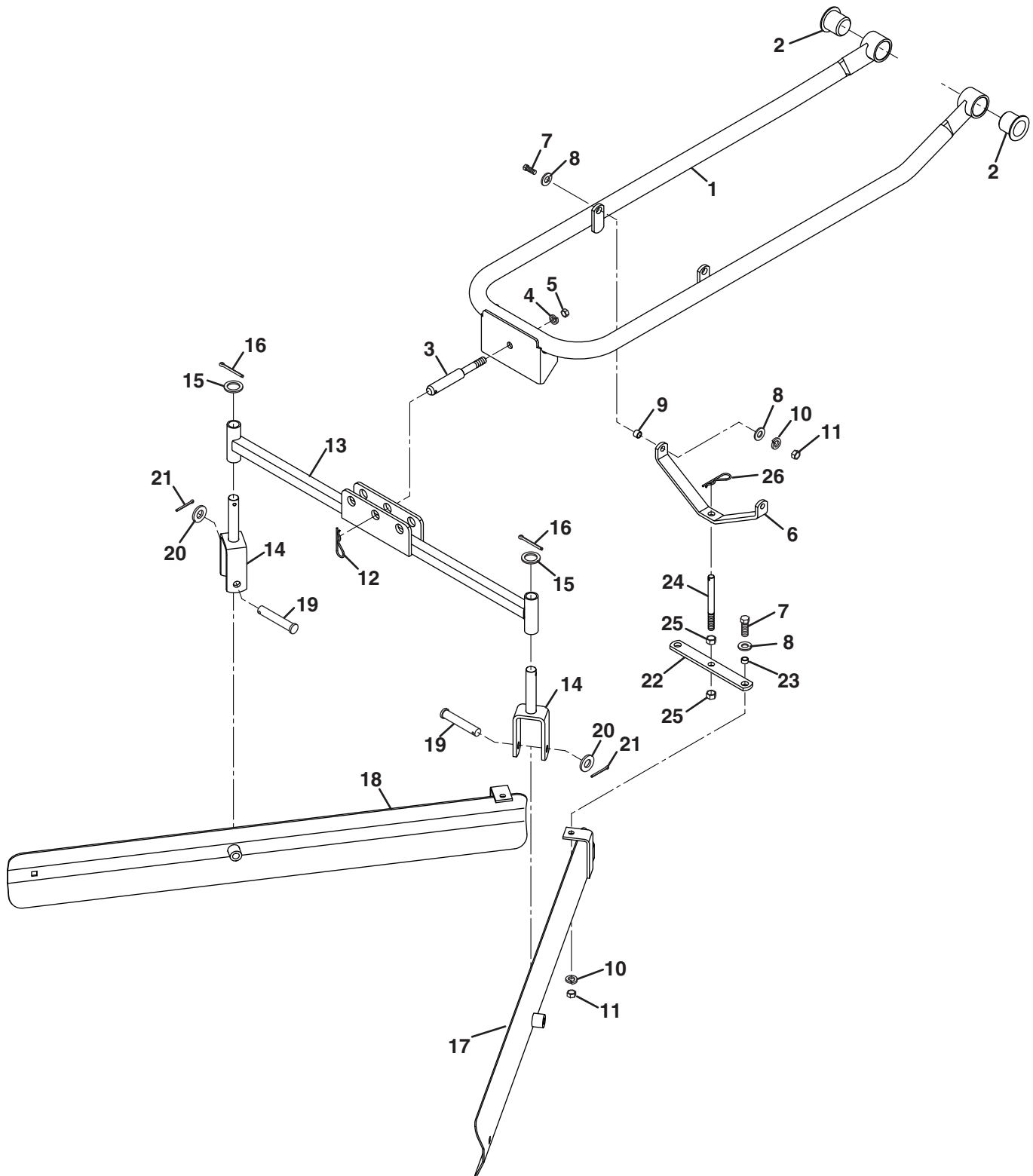
> Change from previous

ACCESSORIES & MODIFICATIONS

38.1 Push Tube and Windrow Blade

Models Accessory will fit

- | | |
|--|--|
| <input type="checkbox"/> Haulster Gas | <input checked="" type="checkbox"/> Truckster Gas |
| <input type="checkbox"/> Haulster Diesel | <input checked="" type="checkbox"/> Truckster Diesel |



ACCESSORIES & MODIFICATIONS

Item	Part No.	Qty.	Description	Serial Numbers/Notes
1	890146	1	Push Tube	
2	827099	2	• Bushing	
3	832306	1	Pin, Blade Pivot	
4	446152	1	Lockwasher, 1/2	
5	443118	1	Nut, 1/2-13 Hex	
6	837258	1	Bracket, Support	
7	400262	4	Screw, 3/8-16 x 1" Hex Head	
8	453011	6	Flat Washer, 3/8	
9	518438	2	Bushing	
10	446140	4	Lockwasher, 3/8	
11	443110	4	Nut, 3/8-16 Hex	
12	460316	1	Hair Pin, 5/8" Shaft	
13	887960	1	Crossbrace	
14	887954	2	Yoke	
15	309488	2	Flat Washer, 3/4	
16	316929	2	Cotter Pin, 1/8 x 1-3/4"	
17	887972	1	Blade, Left Windrow	
18	887973	1	Blade, Right Windrow	
19	548462	2	Clevis Pin, 1/2 x 1-3/4"	
20	453017	2	Flat Washer, 1/2	
21	460030	2	Cotter Pin, 1/8 x 1-1/8"	
22	832309	1	Plate, Blade Tie	
23	521679	2	Bushing	
24	832310	1	Rod, Tie	
25	443114	2	Nut, 7/16-14 Hex	
26	822529	1	Hair Pin, 1/2" Shaft	

> Change from previous

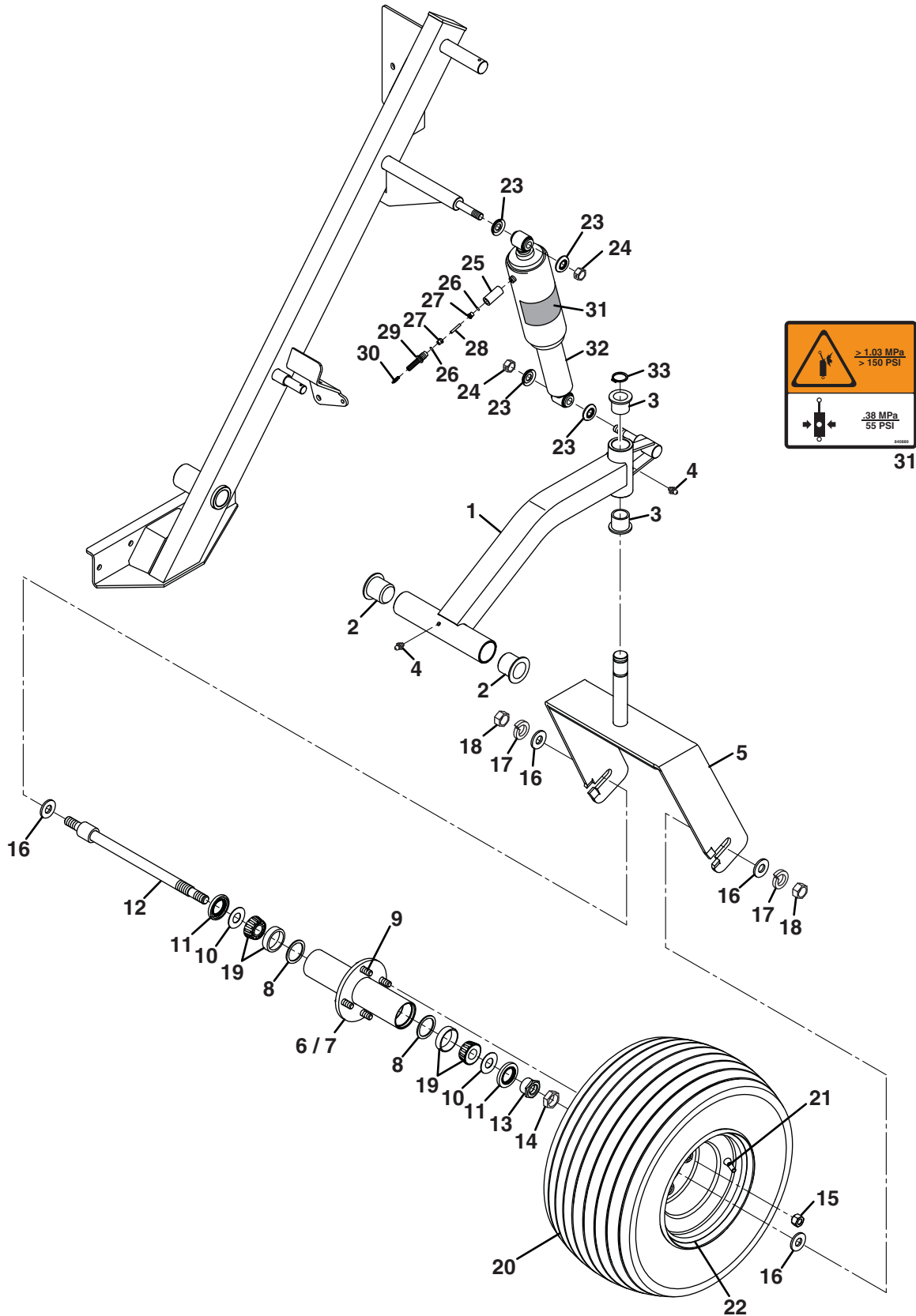
ACCESSORIES & MODIFICATIONS

39.1 Caster Pivot and Air Shock

Part of Core Harvester Accessory, Part No. 4119652

Models Accessory will fit

- | | |
|--|--|
| <input type="checkbox"/> Haulster Gas | <input checked="" type="checkbox"/> Truckster Gas |
| <input type="checkbox"/> Haulster Diesel | <input checked="" type="checkbox"/> Truckster Diesel |



ACCESSORIES & MODIFICATIONS

Item	Part No.	Qty.	Description	Serial Numbers/Notes
1	890117	1	Caster Pivot	
2	827099	2	• Bushing	
3	521115	2	• Flange Bearing	
4	2702168	2	• Grease Fitting, Straight	
5	890118	1	Yoke, Wheel	
6	889845	1	Axle Assembly	
7	889844	1	• Hub	Includes cup portion of Item 19
8	809268	2	• • Ring, Bearing Backing	
9	816320	4	• • Wheel Bolt, 7/16-20 x 1-1/8"	
10	809229	2	• Slinger, Grease	
11	836621	2	• Seal, Grease	
12	889843	1	• Axle Shaft	
13	836719	1	• Nut, 3/4-16 Bearing Adjusting	
14	307665	1	• Nut, 3/4-16 Hex Jam	
15	805860	4	• Nut, 7/16-20 Wheel Retaining	
16	809156	4	• Washer, Special	
17	446162	2	• Lockwasher, 5/8	
18	443828	2	• Nut, 5/8-18 Hex Jam	
19	500534	2	• Bearing, Cup and Cone	
20	889878	1	Tire and Wheel Set	Obtain replacement tire locally
21	815474	1	• Wheel, 8 x 7	
22	886735	1	• Stem, Valve	
23	832411	4	Retainer, Shock	
24	444780	2	Locknut, 1/2-20 Center	
25	832407	1	Fitting, Shock	
26	832467	2	O-Ring	
27	832464	2	Clamp, Tube	
28	832466	1	Tube, Nylon	
29	832464	1	Valve, Air Fill	
30	842213	1	Core, Valve	
31	840889	1	Decal, Information	
32	832404	1	Shock Absorber	

> Change from previous

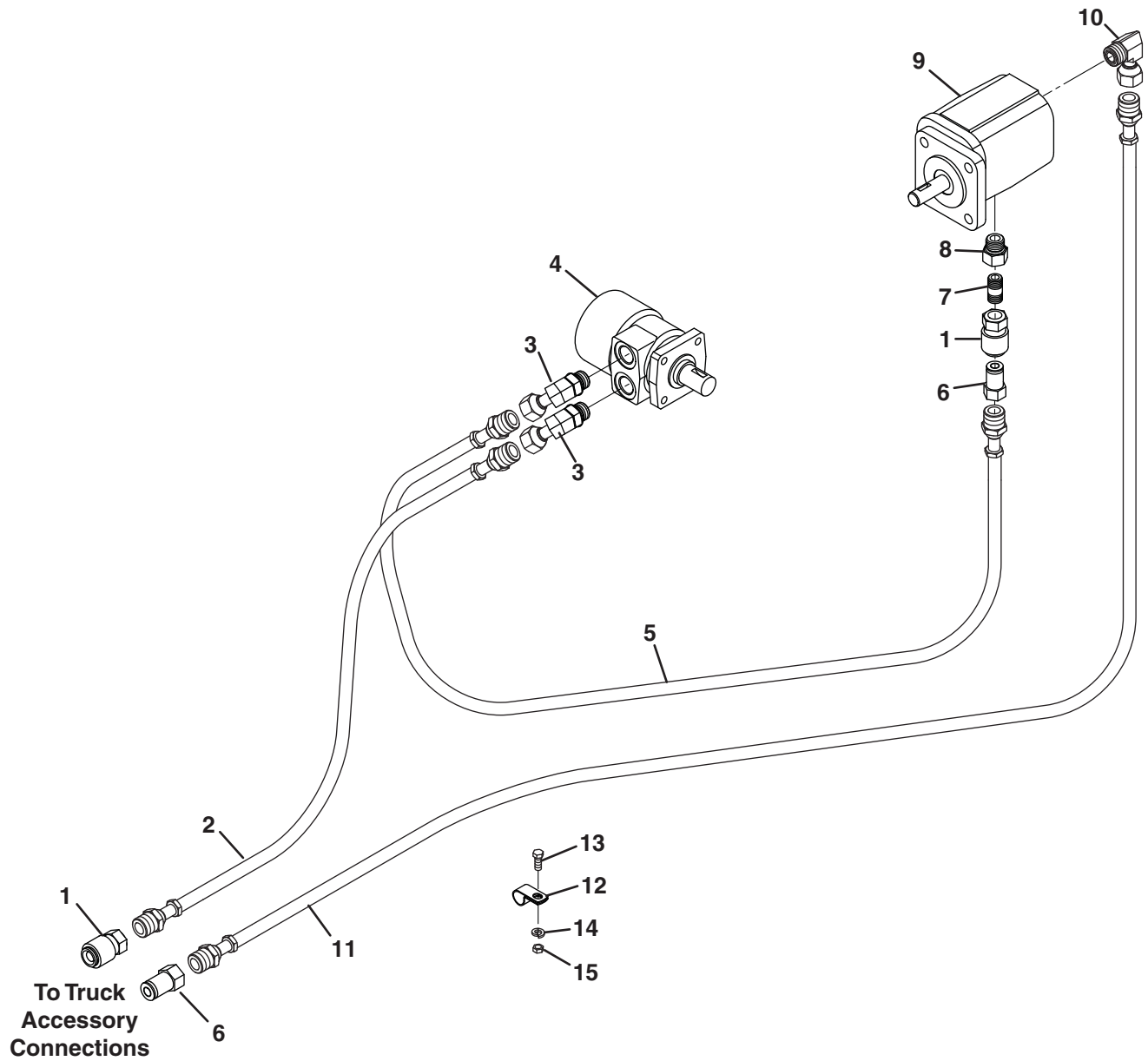
ACCESSORIES & MODIFICATIONS

40.1 Hydraulic Connections

Part of Core Harvester Accessory, Part No. 4119652

Models Accessory will fit

- | | |
|--|--|
| <input type="checkbox"/> Haulster Gas | <input checked="" type="checkbox"/> Truckster Gas |
| <input type="checkbox"/> Haulster Diesel | <input checked="" type="checkbox"/> Truckster Diesel |



ACCESSORIES & MODIFICATIONS

Item	Part No.	Qty.	Description	Serial Numbers/Notes
1	894701	2	Coupler, Hydraulic Dryseal	
2	844810	1	Hose, 30" Hydraulic	Truck to Elevator Motor
3	521949	2	Adapter, -10 ORB x 1/2 NPT 45°	
4	887989	1	Motor, Hydraulic	See 34.1
	503372	1	• Seal Kit	
	463021	1	• Key, 1/4 x 7/8" Woodruff	
5	832403	1	Hose, 60" Hydraulic	Elevator Motor to Conveyor Motor
6	894702	2	Nipple, Hydraulic Dryseal	
7	105706	1	Nipple, 3/8 NPT	
8	832396	1	Adapter, -10 ORB x 3/8 NPT Straight	
9	832401	1	Motor, Conveyor	See 37.1
	553046	1	• Key, #3 Woodruff	
	833237	1	• Seal Kit	
10	827395	1	Adapter, -10 ORB x 1/2 NPT 90°	
11	832398	1	Hose, 56" Hydraulic Hose	Conveyor Motor to Truck
12	809092	1	Clamp	Mounts to bottom of elevator
13	400106	1	Screw, 1/4-20 x 5/8" Hex Head	
14	446128	1	Lockwasher, 1/4	
15	443102	1	Nut, 1/4-20 Hex	

> Change from previous

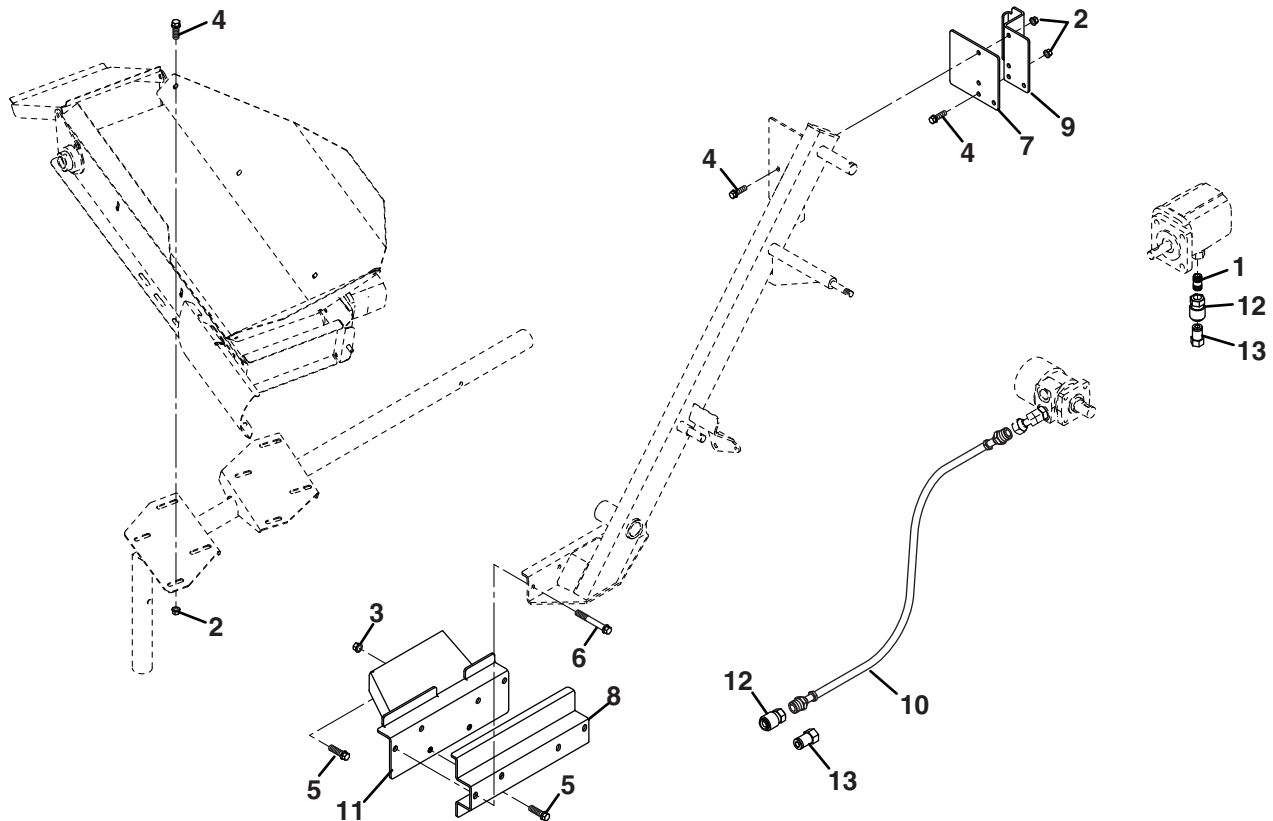
ACCESSORIES & MODIFICATIONS

41.1 Core Harvester Conversion Kit

Part No. 894810 (Mounts older Core Harvester to Current Trucks)

Models Accessory will fit

- | | |
|--|--|
| <input type="checkbox"/> Haulster Gas | <input checked="" type="checkbox"/> Truckster Gas |
| <input type="checkbox"/> Haulster Diesel | <input checked="" type="checkbox"/> Truckster Diesel |



Item	Part No.	Qty.	Description	Serial Numbers/Notes
1	105706	1	Nipple, 3/8 NPT	
2	450453	8	Nut, M8-1.25 Hex Flange	
3	450454	2	Nut, M10-1.5 Hex Flange	
4	452389	8	Screw, M8-1.25 x 25 mm Hex Flange	
5	452400	4	Screw, M10-1.5 x 30 mm Hex Flange	
6	452404	4	Screw, M10-1.5 x 70 mm Hex Flange	
7	844668	1	Plate, Clamping	
8	844797	1	Mount, Frame to ROPS	
9	844798	1	Bracket, Clamping	
10	844810	1	Hose, 30" Hydraulic	Truck to Elevator Motor
11	894698	1	Bracket, Mounting	
12	894701	2	Coupler, Hydraulic Dryseal	
13	894702	2	Nipple, Hydraulic Dryseal	

> Change from previous revision

ACCESSORIES & MODIFICATIONS

42.1 Core Harvester Mounting Kit

Part No. 892820 (Mounting Core Harvester to Poly Box)

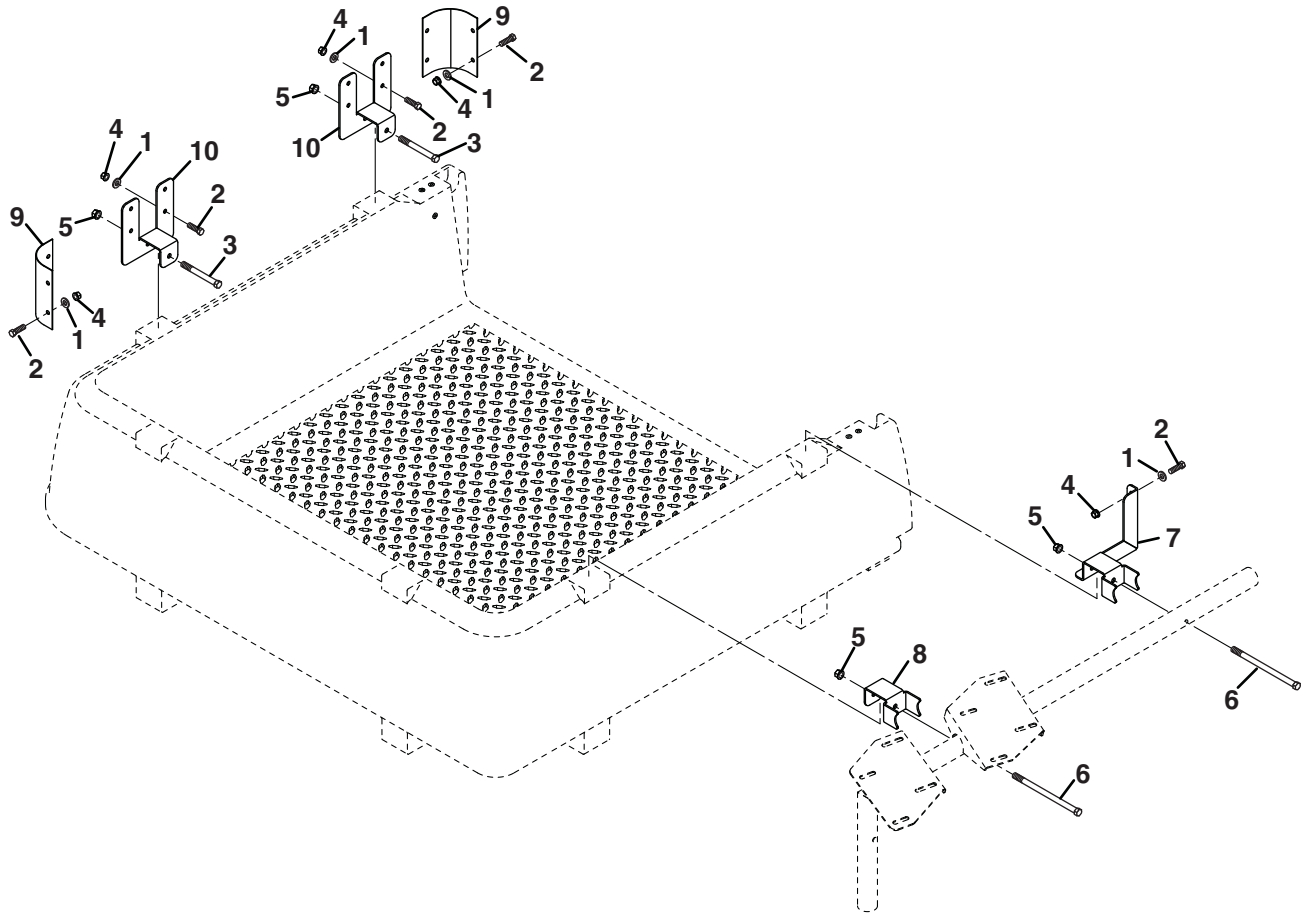
Models Accessory will fit

□ Haulster Gas

■ Truckster Gas

□ Haulster Diesel

■ Truckster Diesel



Item	Part No.	Qty.	Description	Serial Numbers/Notes
1	453009	26	Flat Washer, 5/16	
2	400188	26	Screw, 5/16-18 x 1" Hex Head	
3	306837	4	Screw, 3/8-16 x 3-1/4" Hex Head	
4	444718	26	Locknut, 5/16-18 Hex Center	
5	444762	6	Locknut, 3/8-16 Hex Center	
6	401225	2	Screw, 3/8-16 x 6-1/2" Hex Head	
7	840427	1	Bracket, Rear Conveyor Mount	
8	840428	1	Bracket, Front Conveyor Mount	
9	840429	2	Bracket, Corner	
10	840430	4	Bracket, Support Extension	

> Change from previous revision

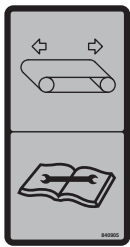
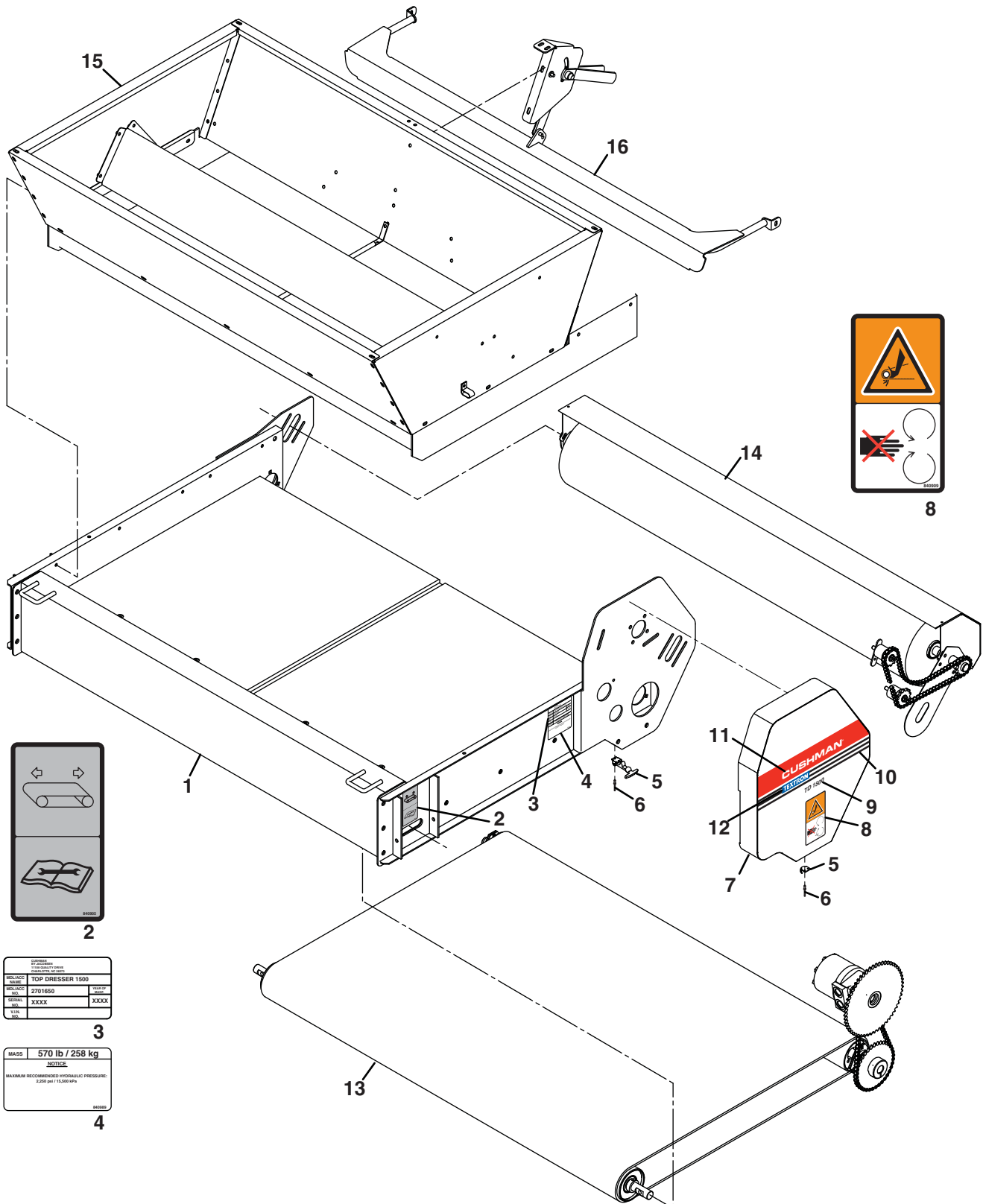
ACCESSORIES & MODIFICATIONS

43.1 Top Dresser Accessory

Part No. 2701650

Models Accessory will fit

- Haulster Gas Truckster Gas
- Haulster Diesel Truckster Diesel



2

<small>STP/STP/STP HYDRAULIC CYLINDER 1500 LB / 680 KG</small>	
INCLUDES	TOP DRESSER 1500
INCLUDES PART NO.	2701650
SERIAL NO.	XXXX XXXX
MAN. NO.	

3

MASS	570 lb / 258 kg
NOTICE	
<small>MAXIMUM RECOMMENDED HYDRAULIC PRESSURE: 2,250 psi / 15,500 kPa</small>	

4



8

ACCESSORIES & MODIFICATIONS

Item	Part No.	Qty.	Description	Serial Numbers/Notes
1	REF	1	Frame Assembly	See 44.1
2	840905	1	Decal, Belt Adjustment	
3	REF	1	Decal, Product ID	
4	840989	1	Decal, Top Dresser Information	
5	888102	1	Latch Assembly	Includes Latch and Keeper
6	800634	4	Pop Rivet, 1/8 x 5/8"	
7	892031	1	Cover, Chain	Includes Keeper and 2 Pop Rivets
8	840909	1	• Decal, Hand Injury Warning	
9	839146	1	• Decal, TD 1500	
10	838495	AR	• Decal, Stripe (20 Foot Roll)	Cut to 17-3/4"
11	838427	1	• Decal, Cushman	
12	844847	1	• Decal, Textron	
13	REF	1	Belt Drive Assembly	See 45.1
14	REF	1	Brush Drive Assembly	See 46.1
15	REF	1	Hopper Assembly	See 47.1
16	REF	1	Metering Gate	See 48.1

> Change from previous

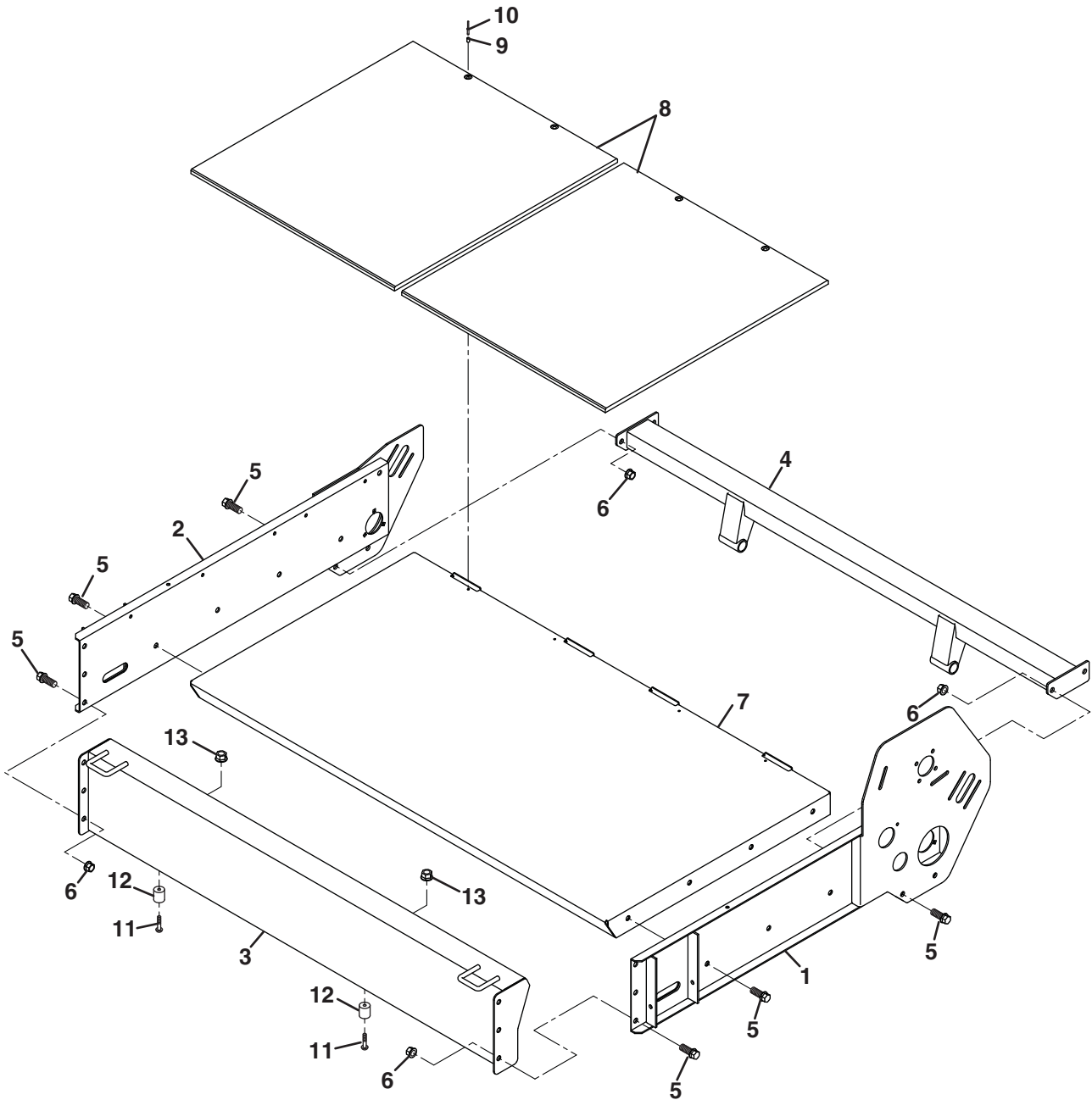
ACCESSORIES & MODIFICATIONS

44.1 Frame Assembly

Part of Top Dresser 1500 Accessory, Part No. 2701650

Models Accessory will fit

- | | |
|--|--|
| <input type="checkbox"/> Haulster Gas | <input checked="" type="checkbox"/> Truckster Gas |
| <input type="checkbox"/> Haulster Diesel | <input checked="" type="checkbox"/> Truckster Diesel |



ACCESSORIES & MODIFICATIONS

Item	Part No.	Qty.	Description	Serial Numbers/Notes
1	892020	1	Frame, Left Side	
2	892021	1	Frame, Right Side	
3	892019	1	Frame, Front	
4	892023.7	1	Support, Rear Frame	
5	800380	18	Screw, 1/2-13 x 1-1/4" Hex Flange	
6	800379	10	Nut, 1/2-13 Hex Flange	
7	2701649.7	1	Bed	
8	2701647	2	Support, Belt	
9	836210	4	Spacer	
10	800636	4	Pop Rivet, 3/16 x 15/16"	
11	450644	2	Screw, M6-1 x 30 mm Pan Head	
12	844898	2	Spacer	
13	450452	2	Nut, M6-1 Hex Flange	

> Change from previous

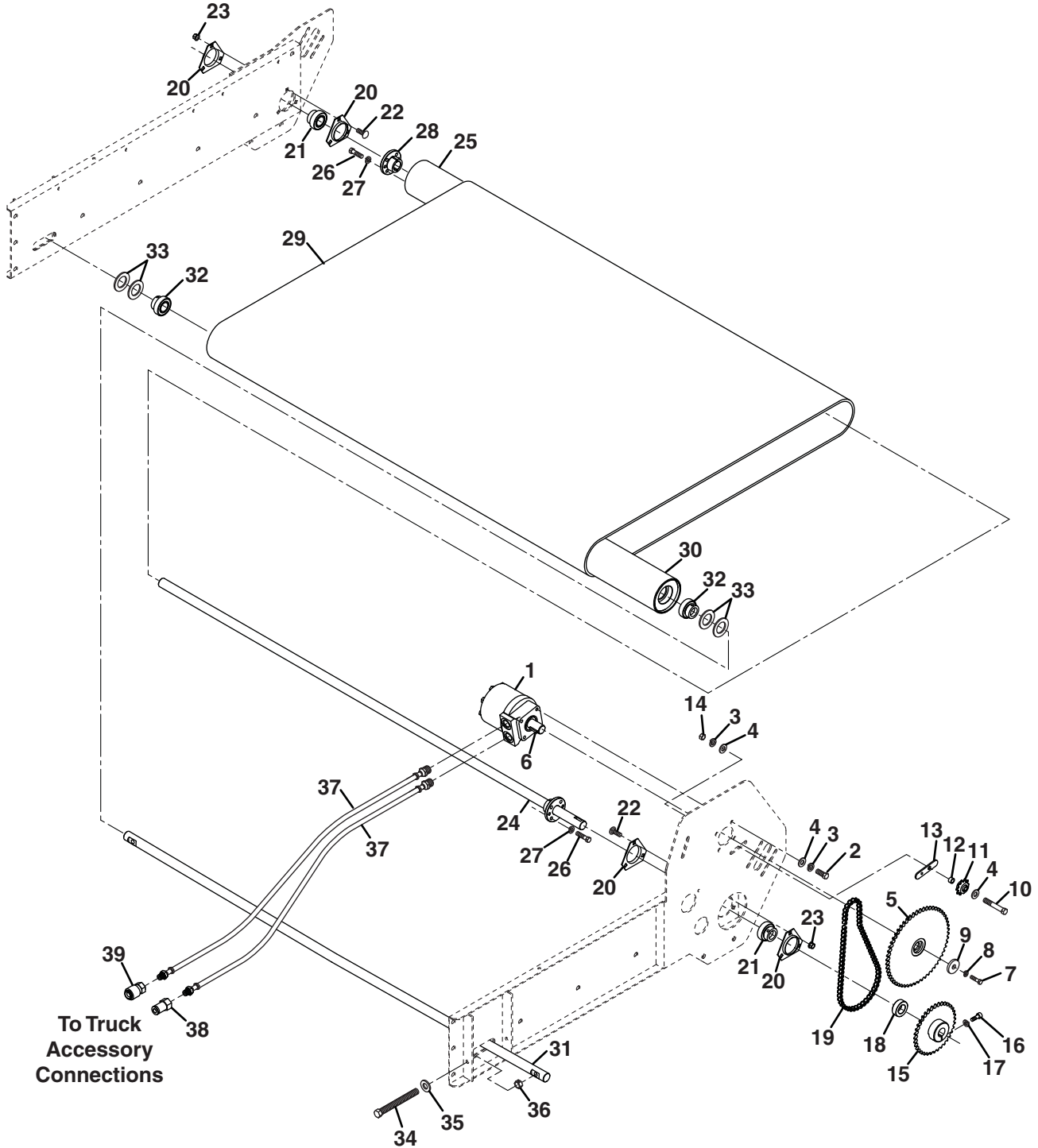
ACCESSORIES & MODIFICATIONS

45.1 Belt Drive

Part of Top Dresser 1500 Accessory, Part No. 2701650

Models Accessory will fit

- | | |
|--|--|
| <input type="checkbox"/> Haulster Gas | <input checked="" type="checkbox"/> Truckster Gas |
| <input type="checkbox"/> Haulster Diesel | <input checked="" type="checkbox"/> Truckster Diesel |



To Truck
Accessory
Connections

ACCESSORIES & MODIFICATIONS

Item	Part No.	Qty.	Description	Serial Numbers/Notes
1	540401	1	Motor, Hydraulic Motor	
	893782	1	• Seal Kit	
2	400260	4	Screw, 3/8-16 x 7/8" Hex Head	
3	446140	5	Lockwasher, 3/8	
4	453011	6	Flat Washer, 3/8	
5	889423	1	Sprocket, Motor Drive	
6	515016	1	Key	
7	400112	1	Screw, 1/4-20 x 1" Hex Head	
8	446128	1	Lockwasher, 1/4	
9	515390	1	Retainer	
10	400272	1	Screw, 3/8-16 x 2-1/4" Hex Head	
11	548960	1	Sprocket, Idler	
12	816697	1	Bushing	
13	869140	1	Cover, Hole	
14	443110	1	Nut, 3/8-16 Hex	
15	892029	1	Sprocket, Belt Drive	
16	434016	1	Screw, 5/16-18 x 1-1/4" Socket Head	
17	446136	1	Lockwasher, 5/16 Heavy	
18	836507	1	Bushing	
19	892207	1	Chain, #40 Sealed Roller	
	522122	1	• Link, #40 Chain Connector	
20	522723	4	Flange, Bearing	
21	545786	2	Bearing	
22	441602	6	Carriage Bolt, 5/16-18 x 3/4"	
23	445781	6	Nut, 5/16-18 Whizlock Flange	
24	892053	1	Shaft, Drive	
25	2701646.7	1	Roller, Rear	
26	400190	8	Screw, 5/16-18 x 1-1/4" Hex Head	
27	446134	8	Lockwasher, 5/16	
28	835748	1	Hub, Clamping	
29	2702043	1	Belt, Top Dresser	
30	2701644.7	1	Roller, Front	
31	839109	1	Shaft, Front Roller	
32	548128	2	Bearing	
33	548173	4	Washer, 1"	
34	800819	2	Screw, 1/2-13 x 4-1/2" Hex Head	
35	453017	2	Flat Washer, 1/2	
36	444758	2	Locknut, 1/2-13 Center	
37	839136	1	Hose, 3/8 NPT x -10 ORB	
38	894702	2	Nipple, Hydraulic Dryseal	
39	894701	1	Coupler, Hydraulic Dryseal	

> Change from previous

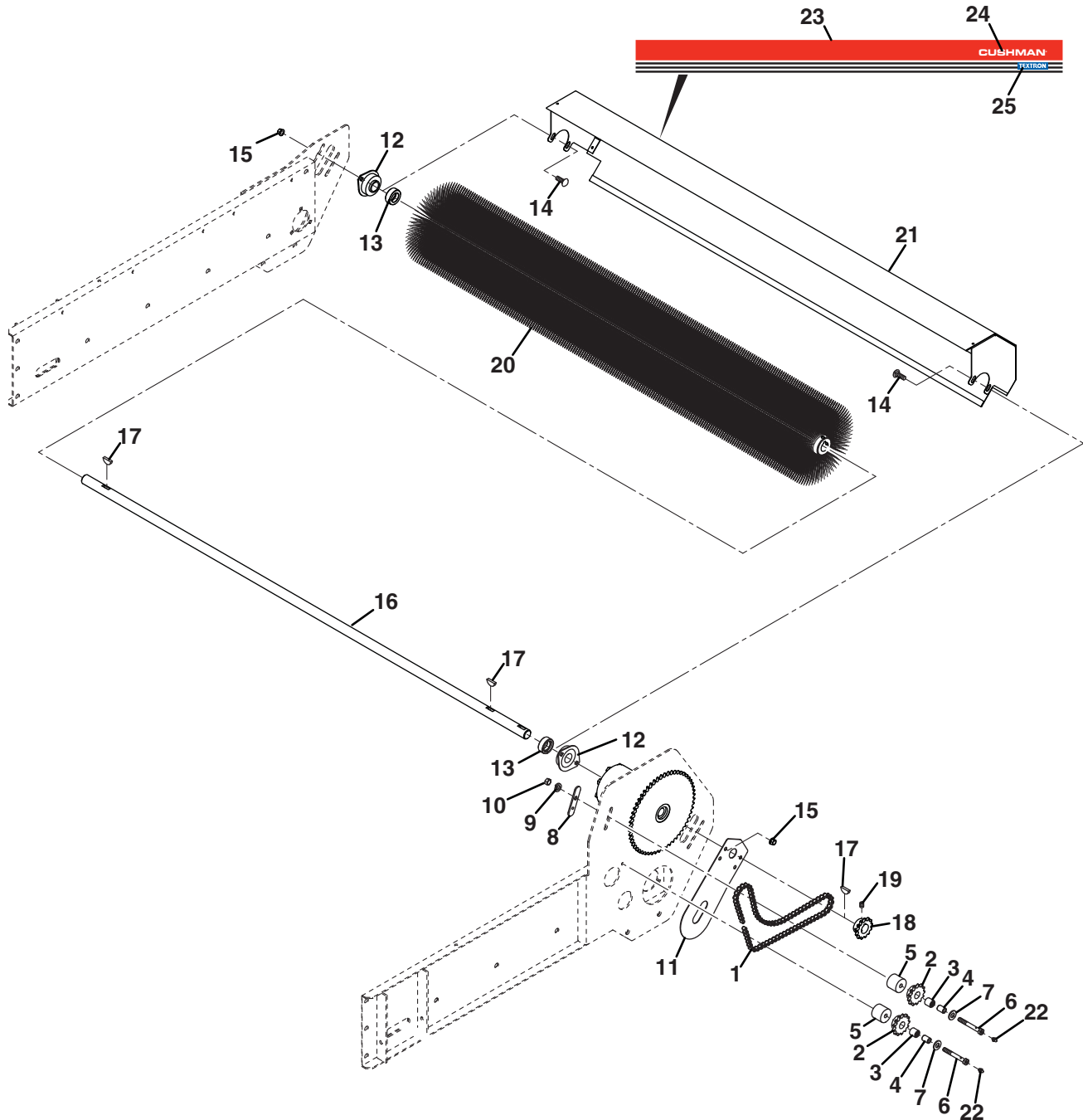
ACCESSORIES & MODIFICATIONS

46.1 Brush Drive

Part of Top Dresser 1500 Accessory, Part No.2701650

Models Accessory will fit

- | | |
|--|--|
| <input type="checkbox"/> Haulster Gas | <input checked="" type="checkbox"/> Truckster Gas |
| <input type="checkbox"/> Haulster Diesel | <input checked="" type="checkbox"/> Truckster Diesel |



ACCESSORIES & MODIFICATIONS

Item	Part No.	Qty.	Description	Serial Numbers/Notes
1	892208	1	Chain, #40 Sealed Roller	
	522122	1	• Link, #40 Chain Connector	
2	544799	2	Sprocket, Idler	
3	521845	1	• Bearing, Needle	
4	519874	2	Race, Inner	
5	835740	2	Bushing	
6	835738	2	Screw, Idler Sprocket	
7	453011	2	Flat Washer, 3/8	
8	869140	1	Cover, Hole	
9	446140	1	Lockwasher, 3/8	
10	443110	1	Nut, 3/8-16 Hex	
11	839114	1	Shield, Sand	
12	832405	2	Bearing, Ball	
13	832440	2	Collar, Locking	
14	441602	6	Carriage Bolt, 5/16-18 x 3/4"	
15	445791	6	Nut, 5/16-18 Whizlock Flange	
16	839112	1	Shaft, Brush	
17	515016	3	Key	
18	517996	1	Sprocket, Brush Drive	
19	548201	2	Set Screw, 5/16-18 x 5/16	
20	839132	1	Brush, Top Dresser	
21	892028	1	Shield, Brush	
22	548224	2	Grease Fitting, 1/4-28 Straight	
23	838495	AR	Decal, Stripe (20 Foot Roll)	
24	838427	1	Decal, Cushman	
25	844847	1	Decal, Textron	

> Change from previous

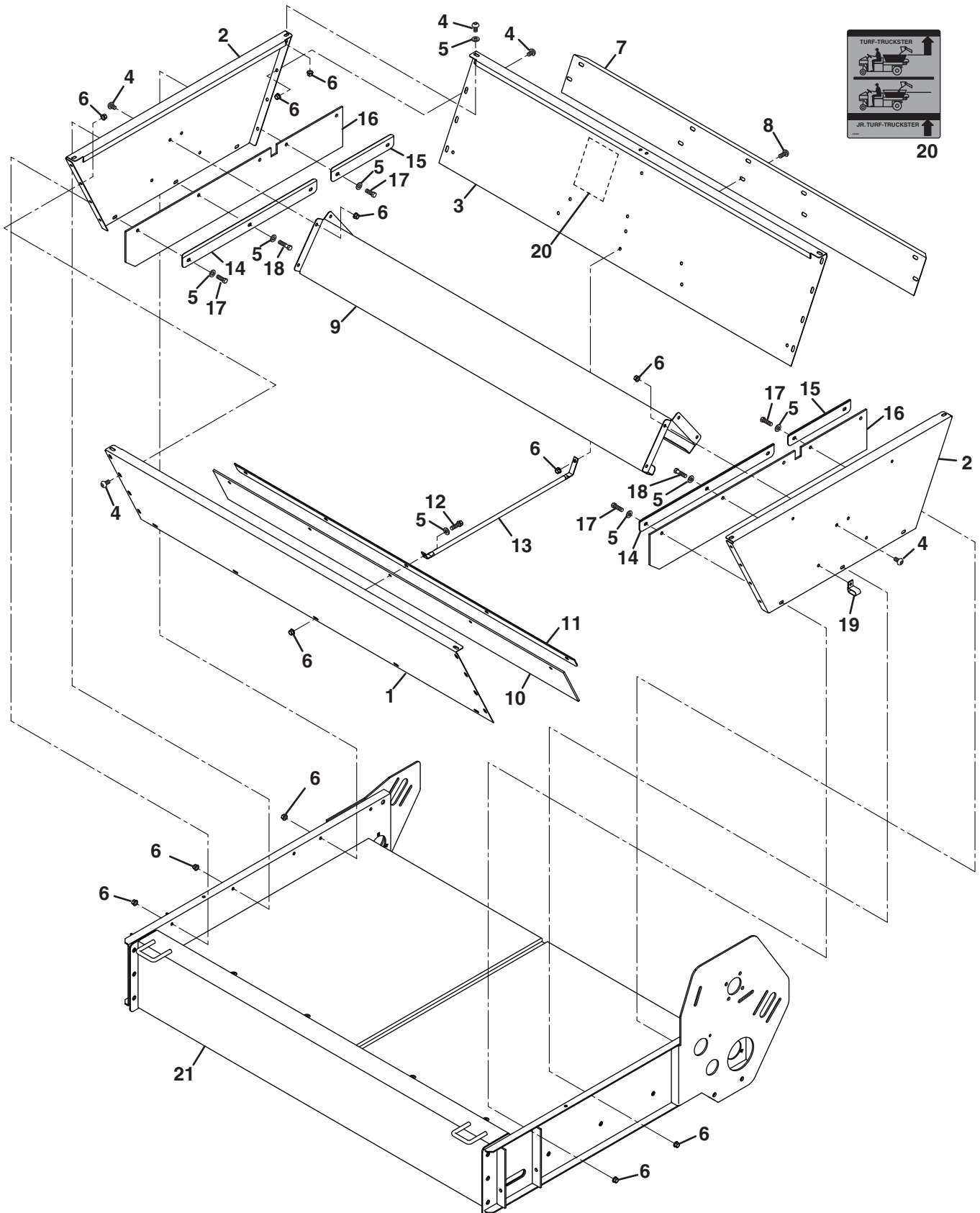
ACCESSORIES & MODIFICATIONS

47.1 Hopper Assembly

Part of Top Dresser 1500 Accessory, Part No. 2701650

Models Accessory will fit

- | | |
|--|--|
| <input type="checkbox"/> Haulster Gas | <input checked="" type="checkbox"/> Truckster Gas |
| <input type="checkbox"/> Haulster Diesel | <input checked="" type="checkbox"/> Truckster Diesel |



ACCESSORIES & MODIFICATIONS

Item	Part No.	Qty.	Description	Serial Numbers/Notes
1	839119	1	Panel, Front Hopper	
2	839120	2	Panel, Hopper Side	
3	839118	1	Panel, Hopper Rear	
4	800629	35	Screw, 5/16-18 x 1/2" Pan Head	Hex Socket
5	453009	20	Flat Washer, 5/16	
6	445781	44	Nut, 5/16-18 Whizlock Flange	
7	839117	1	Support, Rear Hopper	
8	800637	5	Screw, 5/16-18 x 3/4" Pan Head	Hex Socket
9	839275	1	Tunnel	
10	839134	1	Seal, Front Hopper	
11	839126	1	Strap, Front Seal	
12	548902	5	Screw, 5/16-18 x 1" Hex Flange	
13	869089	1	Rod, Support	
14	839127	2	Strap, Side Seal	
15	839128	2	Strap, Rear Seal	
16	839135	2	Seal, Side Hopper	
17	400188	8	Screw, 5/16-18 x 1" Hex Head	
18	400190	2	Screw, 5/16-18 x 1-1/4" Hex Head	
19	817320	1	Clamp, Hydraulic Hose	
20	840938	1	Decal, Load Capacity	
21	REF	1	Frame Assembly	See 44.1

> Change from previous

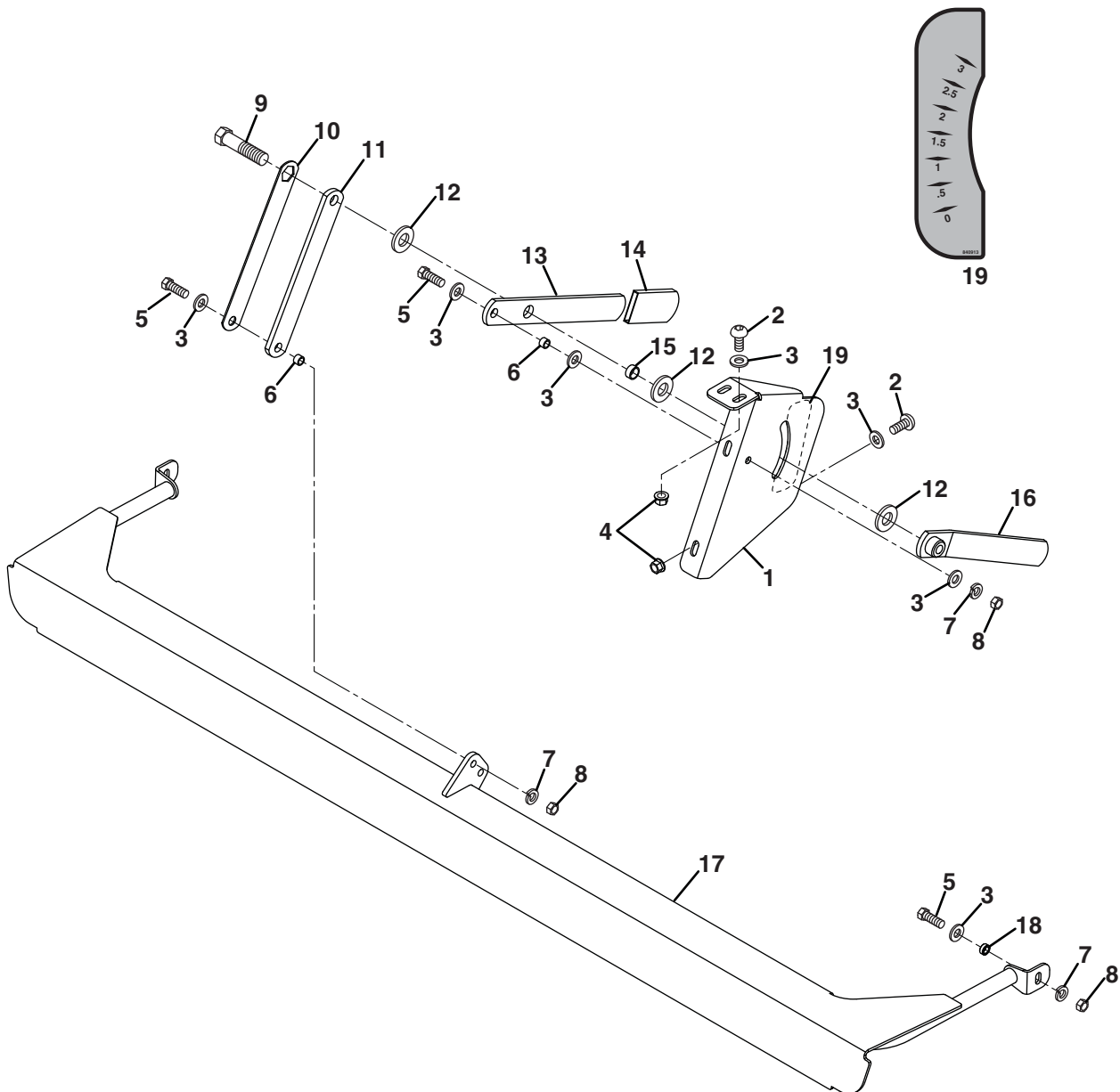
ACCESSORIES & MODIFICATIONS

48.1 Metering Gate

Part of Top Dresser 1500 Accessory, Part No. 2701650

Models Accessory will fit

- | | |
|--|--|
| <input type="checkbox"/> Haulster Gas | <input checked="" type="checkbox"/> Truckster Gas |
| <input type="checkbox"/> Haulster Diesel | <input checked="" type="checkbox"/> Truckster Diesel |



ACCESSORIES & MODIFICATIONS

Item	Part No.	Qty.	Description	Serial Numbers/Notes
1	839125	1	Bracket, Lever Mounting	Hex Socket
2	800637	4	Screw, 5/16-18 x 3/4" Pan Head	
3	453009	10	Flat Washer, 5/16	
4	445781	4	Nut, 5/16-18 Whizlock Flange	
5	400188	4	Screw, 5/16-18 x 1" Hex Head	
6	819337	2	Bushing	
7	446134	4	Lockwasher, 5/16	
8	443106	4	Nut, 5/16-18 Hex	
9	400412	1	Screw, 1/2-13 x 1" Hex Head	
10	836557	1	Strap	
11	835733	1	Level, Gate	
12	453017	3	Flat Washer, 1/2	
13	835732	1	Lever, Control	
14	521144	2	Cover, Handle	
15	836110	1	Bushing	
16	545449	1	Handle	
17	2702125	1	Gate, Metering	
18	517226	2	Bushing	
19	840913	1	Decal, Metering Gate	

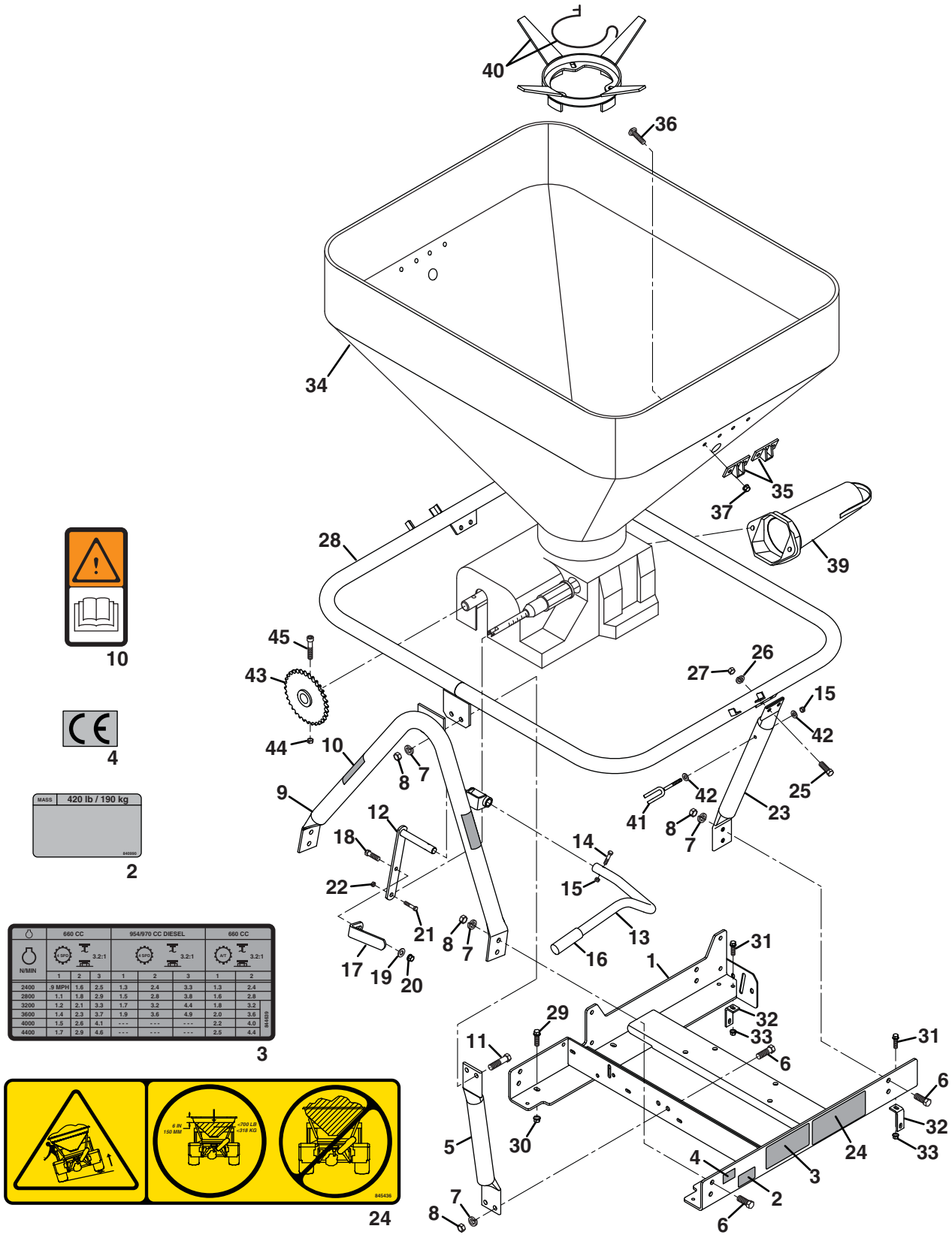
> Change from previous

ACCESSORIES & MODIFICATIONS

49.1 Vicon Spreader

Models Accessory will fit

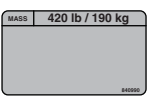
- Haulster Gas Truckster Gas
- Haulster Diesel Truckster Diesel



10



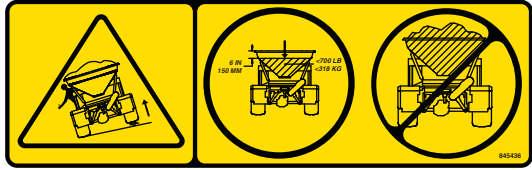
4



2

	660 CC		854R70 CC DIESEL				660 CC	
	3.2:1		3.2:1		3.2:1		3.2:1	
N/MIN	1	2	1	2	3	1	2	
3400	1.8	2.5	1.3	2.4	3.3	1.3	2.4	
3800	1.1	1.8	1.5	2.8	3.8	1.6	2.8	
3200	1.2	2.1	3.3	1.7	3.2	4.4	1.8	
3600	1.4	2.3	3.7	1.9	3.8	4.9	2.0	
4000	1.8	2.8	4.1	---	---	2.2	4.0	
4400	1.7	2.9	4.6	---	---	2.5	4.4	

3



24

ACCESSORIES & MODIFICATIONS

Item	Part No.	Qty.	Description	Serial Numbers/Notes
1	888498	1	Frame, Vicon Spreader	
2	840990	1	• Decal, Vicon Information	
3	844639	1	• Decal, Ground Speed	
4	009039290	1	• Decal, CE	
5	833162	1	Support, Center Tube	
6	400406	10	Screw, 1/2-13 x 1-1/4" Hex Head	
7	446152	12	Lockwasher, 1/2	
8	443118	12	Nut, 1/2-13 Hex	
9	893088	1	Tube, Front	
10	840901	2	• Decal, Read Manual Warning	
11	400410	2	Screw, 1/2-13 x 1-3/4" Hex Head	
12	888436	1	Lever, Gate	
13	833167	1	Tube, Handle	
14	400192	1	Screw, 5/16-18 x 1-1/2" Hex Head	
15	444718	4	Locknut, 5/16-18 Hex Center	
16	548518	1	Grip, Handle	
17	837105	1	Stop	
18	400264	1	Screw, 3/8-16 x 1-1/4" Hex Head	
19	306981	1	Flat Washer, 3/8	
20	445796	1	Nut, 3/8-16 Spirallock Flange	
21	400114	1	Screw, 1/4-20 x 1-1/4" Hex Head	
22	444708	1	Locknut, 1/4-20 Hex Center	
23	833157	2	Support, Side Tube	
24	845436	1	Decal, Load Limit	
25	400336	4	Screw, 7/16-14 x 1-1/4" Hex Head	
26	446146	4	Lockwasher, 7/16	
27	443114	4	Nut, 7/16-14 Hex	
28	888434	1	Support, Ring	
29	800709	4	Screw, 3/8-16 x 1" Hex Flange	
30	445783	4	Nut, 3/8-16 Whizlock Flange	
31	800710	4	Screw, 5/16-18 x 1" Hex Flange	
32	828819	2	Bracket, Angle	
33	445781	4	Nut, 5/16-18 Whizlock Flange	
34	N/S	1	Vicon Spreader	
35	833134	4	• Block, Mounting	
36	800500	8	• Carriage Bolt, 3/8-16 x 1-1/4"	
37	445796	8	• Nut, 3/8-16 Spirallock Flange	
38	833131	2	• Tie-Down	Not Shown
39	833060	1	Spout	
40	833089	1	Extension, Agitator	
41	888437	2	Hook, Tie-Down	
42	453009	4	Flat Washer, 5/16	
43	885023	1	Sprocket, 32 Tooth	
44	444762	1	Locknut, 3/8-16 Hex Center	
45	800438	1	Screw, 3/8-16 x 2" Hex Socket	

> Change from previous

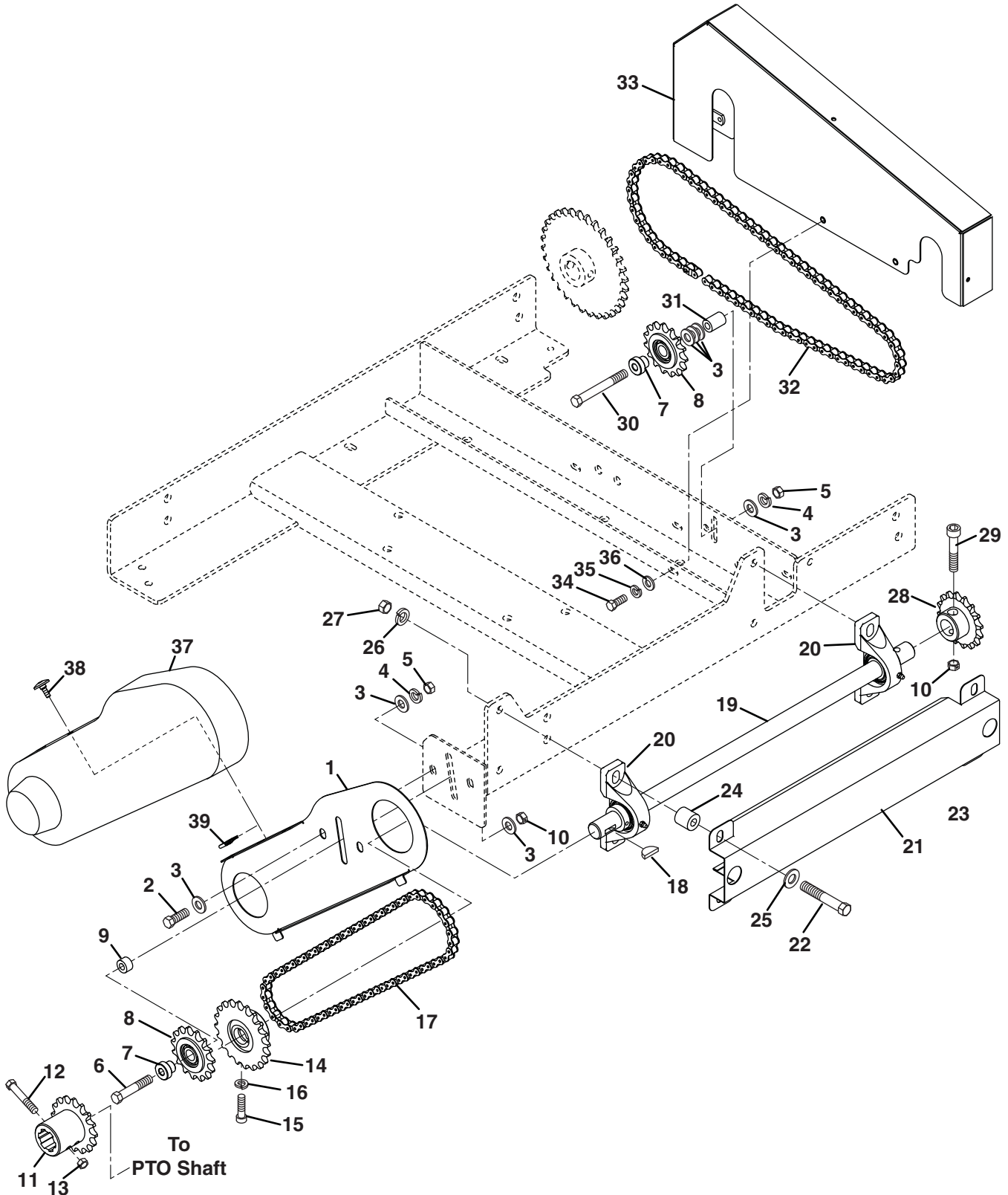
ACCESSORIES & MODIFICATIONS

50.1 Vicon PTO Drive Kit

Part No. 2701602

Models Accessory will fit

- | | |
|--|--|
| <input type="checkbox"/> Haulster Gas | <input checked="" type="checkbox"/> Truckster Gas |
| <input type="checkbox"/> Haulster Diesel | <input checked="" type="checkbox"/> Truckster Diesel |



ACCESSORIES & MODIFICATIONS

Item	Part No.	Qty.	Description	Serial Numbers/Notes
1	832978	1	Plate, Guard	
2	400262	2	Screw, 3/8-16 x 1" Hex Head	
3	453011	9	Flat Washer, 3/8	
4	446140	3	Lockwasher, 3/8	
5	443110	3	Nut, 3/8-16 Hex	
6	400270	1	Screw, 3/8-16 x 2" Hex Head	
7	523100	2	Bushing	
8	547596	2	Sprocket, 15 Tooth Idler	
9	831836	1	Bushing	
10	444762	2	Locknut, 3/8-16 Hex Center	
11	887612	1	Sprocket, 16 Tooth PTO	
12	400198	1	Screw, 5/16-18 x 2-1/4" Hex Head	
13	444718	1	Locknut, 5/16-18 Hex Center	
14	887613	1	Sprocket, 20 Tooth	
15	800513	1	Screw, 5/16-18 x 1-1/4" Hex Socket	
16	446136	1	Lockwasher, 5/16 Heavy	
17	889851	1	Chain, #50 Roller	
	548481	1	• Link, #50 Master	
18	463021	1	Key, Woodruff	
19	833151	1	Shaft, Drive	
20	885866	2	Bearing, Pillow Block	
	807439	1	• Grease Fitting	
21	897102	1	Cover, Drive Shaft	
22	319773	4	• Screw, 7/16-14 x 2-1/2" Hex Head	
23	840901	1	• Decal, Warning	
24	825450	4	• Bushing	
25	453013	4	Flat Washer, 7/16	
26	446146	4	Lockwasher, 7/16	
27	443114	4	Nut, 7/16-14 Hex	
28	831625	1	Sprocket, 16 Tooth	
29	800438	1	Screw, 3/8-16 x 2" Hex Socket	
30	311213	1	Screw, 3/8-16 x 3" Hex Head	
31	522653	1	Bushing	
32	889853	1	Chain, #50 Roller	
	548481	1	• Link, #50 Master	
33	888432	1	Guard, Chain	

> Change from previous

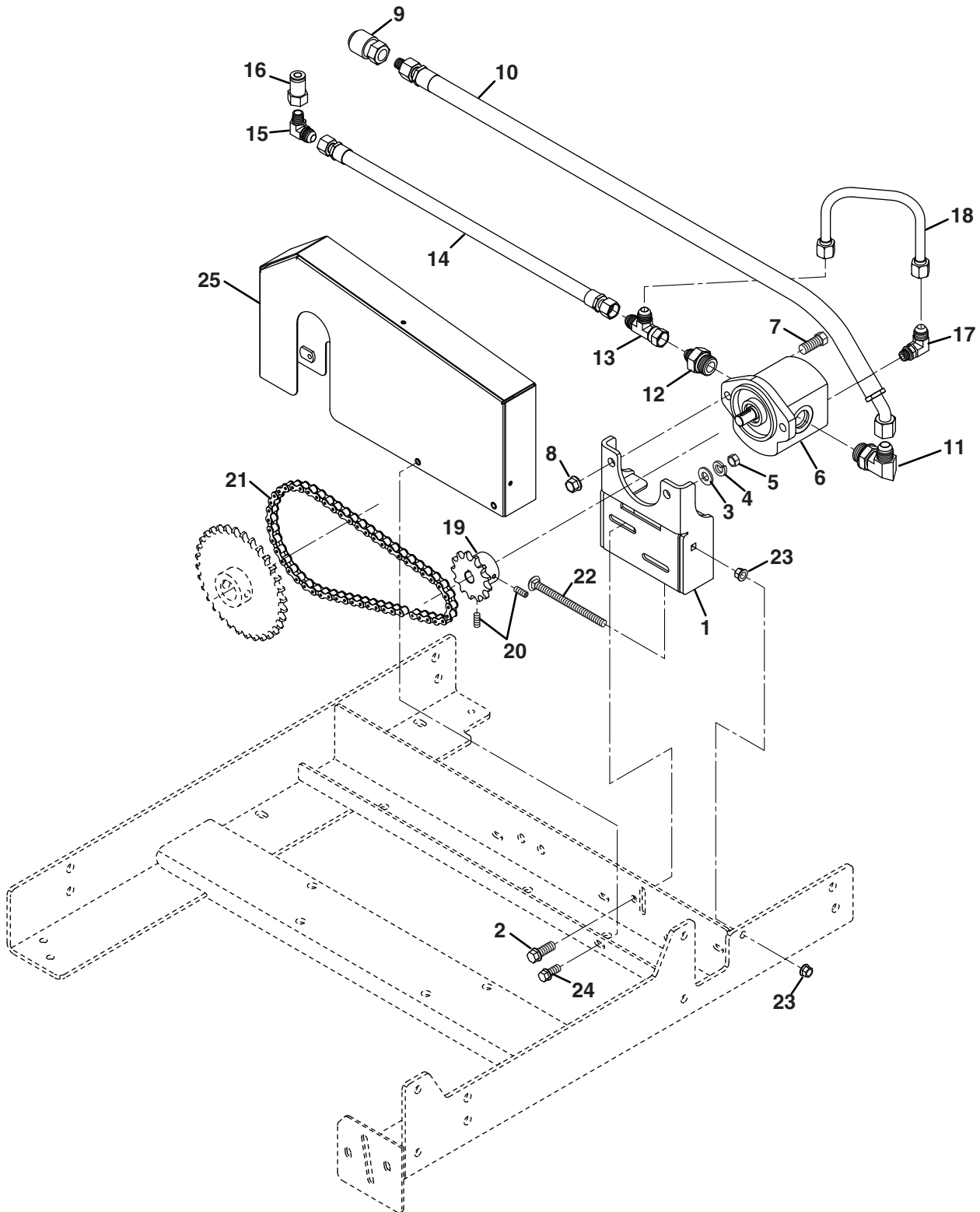
ACCESSORIES & MODIFICATIONS

51.1 Vicon Spreader Hydraulic Drive Kit

Part No. 2701601 (Requires Hi-Low Hydraulic Drive Kit)

Models Accessory will fit

- | | |
|--|--|
| <input type="checkbox"/> Haulster Gas | <input checked="" type="checkbox"/> Truckster Gas |
| <input type="checkbox"/> Haulster Diesel | <input checked="" type="checkbox"/> Truckster Diesel |



ACCESSORIES & MODIFICATIONS

Item	Part No.	Qty.	Description	Serial Numbers/Notes
1	2701496.7	1	Mount, Hydraulic Motor	
2	800709	2	Screw, 3/8-16 x 1" Hex Flange	
3	453011	2	Flat Washer, 3/8	
4	446140	2	Lockwasher, 3/8	
5	443110	2	Nut, 3/8-16 Hex	
6	894640	1	Motor, Hydraulic PTO	
	4114698	1	• Seal Kit	
7	400336	2	Screw, 7/16-14 x 1-1/4" Hex Head	
8	548912	2	Nut, 3/8-16 Hex Flange	
9	894701	1	Coupler, Hydraulic Dry Seal	
10	2701611	1	Hose, Hydraulic	
	840878	1	Sleeve, Nylon 1-7/8 x 36"	Hose goes through sleeve
	320107	2	Cable Tie	Secure sleeve to hose
11	2701632	1	Fitting, -10 JIC x -12 ORB 90°	
	339900	1	• O-Ring, -12 ORB	
12	844590	1	Fitting, -8 JIC x -12 ORB Straight	
	339900	1	• O-Ring, -12 ORB	
13	844627	1	Fitting, -8 JIC Swivel Run Tee	
14	2701630	1	Hose, Hydraulic	
	840878	1	Sleeve, Nylon 1-7/8 x 36"	Hose goes through sleeve
	320107	2	Cable Tie	Secure sleeve to hose
15	844948	1	Fitting, -8 JIC x 3/8" NPT 90°	
16	894702	1	Nipple, Hydraulic Dry Seal	
17	844571	1	Fitting, -8 JIC x -6 ORB 90°	
	339897	1	• O-Ring, -6 ORB	
18	2701584	1	Tube, Hydraulic	
19	2701493.7	1	Sprocket, #50 13 Tooth	
20	548855	2	Set Screw, 1/4-20 x 5/8"	
21	2701634	1	Chain, #50 Roller	
22	800635	1	Carriage Bolt, 5/16-18 x 4"	
23	800907	2	Nut, 5/16-18 Hex Flange	
24	403751	4	Screw, 5/16-18 x 3/4" Hex Flange	
25	2701570.7	1	Guard, Chain	

> Change from previous

ACCESSORIES & MODIFICATIONS

52.1 Spraytek Accessories

Models Accessory will fit
 ■ Spraytek DS175 ■ Spraytek DS300

Item	Part No.	Qty.	Description	Serial Numbers/Notes
1	53721	1	Mod, Cab	See 22.1
2	894761	1	• Upper ROPS	See 23.1
3	894757	1	• Windshield with Wiper	See 24.1
4	894758	1	• Rear Window	See 25.1
5	2701303	1	Left Side Steel Door	See 1.1and 26.1
6	2701304	1	Right Side Steel Door	See 1.1and 26.1
7	894768	1	Outside Mirrors	See 19.1
8	53728	1	Light, Dome	See 20.1
9	4158181	1	Axle Truss Kit	DS 175 Only, See 12.1
10	4119056	1	Raven SCS330 Sprayer Control	
11	4119057	1	Raven SCS440 Console	
12	4119058	1	Quick Foam Marker Kit	
13	4119059	1	Actuator, Electric Boom Lift	
14	4119060	1	Actuator, Electric Center Section Lift	
15	895074	1	Radar Gun Speed Sensor	
16	4119061	1	Wheel Drive Speed Sensor	
17	4132044	1	Convertible Deluxe Spray Boom	20" Spacing
18	4132046	1	Deluxe Manual Lift Boom	20" Spacing
19	4132048	1	Deluxe Manual Lift Boom	10" Spacing
20	4119050	1	Ground Countour Wheel Kit	For 10" Spacing Booms
21	4119051	1	Ground Contour Wheel Kit	For 20" Spacing Booms
22	4132049	1	Gage Wheel (One Pair)	
23	2702229	1	Windbreaker 2000 Shielded Boom	
24	2702231	1	Wilger Spray Tip Monitor Kit	
25	893304	1	Air Gap Anti-Siphon	
26	889907	1	Chrome Roller and Spool	
27	889895	1	Electric Hose Reel	
28	889896	1	Manual Hose Reel	
29	889951	1	Spray Gun (GreenGarde JD9CT)	
30	889950	1	Spray Gun (Spraying System 43H)	
31	889908	1	Spray Kit, 25 ft. Hose	Includes fittings, gun, and hanger
32	891638	1	Spray Kit, 50 ft. Hose	Includes fittings, gun, and hanger
33	891376	1	Hose, 100 ft.	Includes fittings
34	891377	1	Hose, 150 ft.	Includes fittings
35	891378	1	Hose, 200 ft.	Includes fittings
36	4160320	1	Lightweight Walking Boom	
37	4160321	1	Speedometer Option	Requires 4160320

> Change from previous revision

ACCESSORIES & MODIFICATIONS

53.1 Additional Truckster Accessories

Models Accessory will fit

Haulster Gas

Truckster Gas

Haulster Diesel

Truckster Diesel

Item	Part No.	Qty.	Description	Serial Numbers/Notes
1	2701529	1	Quick Aerator	
2	892815	1	Seed and Fertilizer Spreader	For poly box, requires PTO
3	894765	1	Seed and Fertilizer Spreader	For 47" box, requires PTO
4	2700858	1	Seed and Fertilizer Spreader	For 47" box, electric powered
5	816851	1	Extension Hopper	For 892815, 894765, and 2700858
6	4119804	1	160 Gallon Turfmaster Sprayer	Vehicles without Hydraulic Hi/Lo
7	4119805	1	160 Gallon Turfmaster Sprayer	Vehicles with Hydraulic Hi/Lo
8	4119806	1	225 Gallon Turfmaster Sprayer	Vehicles without Hydraulic Hi/Lo
9	4119807	1	225 Gallon Turfmaster Sprayer	Vehicles with Hydraulic Hi/Lo
10	892493	1	A-Lift Frame	

> Change from previous revision

INDEX

009034910.....	63	339900.....	53, 55, 57, 95	4119805.....	97	445783.....	63, 91
009039290.....	91	360111.....	29	4119806.....	97	445784.....	39
105706.....	76	36092G01.....	49	4119807.....	97	445791.....	59, 85
2700260.....	55, 57	400106.....	65	4132044.....	96	445796.....	91
2700858.....	97	400108.....	55, 57	4132046.....	96	446128 55, 57, 63, 65, 83	
2701108.....	35	400112.....	83	4132048.....	96	446134.....	27, 69, 83, 89
2701241.....	49	400114.....	63, 91	4132049.....	96	446136.....	83
2701303.....	5, 96	400182.....	59, 63, 65	4139290.....	55	44614013, 27, 55, 57, 61,	
2701304.....	5, 96	400186.....	69	4139291.....	5563, 65, 71, 83,	
2701493.7.....	95	400188.....	27, 77, 87, 89	4140269.....	41	85,	95
2701496.7.....	95	400190.....	83, 87	4152420.....	63	446146.....	91
2701529.....	97	400192.....	91	4155684.....	55, 57	446152.....	71, 91
2701570.7.....	95	400258.....	27, 55, 57, 65	4156544.....	55, 57	446162.....	73
2701584.....	95	400260.....	83	4158181.....	96	450389.....	49
2701611.....	95	400262 13, 27, 61, 69, 71		4160320.....	96	450452 45, 49, 51, 53, 81	
2701630.....	95	400264.....	63, 91	4160321.....	96	45045316, 41, 43, 45, 51,	
2701632.....	95	400266.....	55, 57	4175340.....	4155, 57, 61, 76	
2701634.....	95	400272.....	83	4178380.....	5	45045413, 35, 39, 47, 61,	
2701644.7.....	83	400282.....	13	4179940.....	5	76
2701646.7.....	83	400336.....	91, 95	4179941.....	5	450455.....	16, 41
2701647.....	81	400406.....	13, 91	4179942.....	5	450539.....	45
2701649.7.....	81	400410.....	91	4179943.....	5	450644.....	81
2702043.....	83	400412.....	89	4179944.....	5	452378.....	51
2702125.....	89	401225.....	77	4179945.....	5	452380.....	53
2702168.....	61, 73	403751.....	95	4184320.....	41	452388.....	16, 47, 55, 57
2702229.....	96	4110220.....	16	4185487.....	51	452389.....	16, 61, 76
2702231.....	96	4111182G01.....	16	4185488.....	51	452390.....	43, 45, 51
2702719.....	33	4111182G02.....	16	4190700.....	57	452392.....	55, 57
2703183.....	33	4111400.....	16	423549.....	53	452396.....	51
2703394.....	22, 24	4111401.....	16	4243005.....	29	452398.....	35, 47, 51, 53
2703513.....	9	4111901.7.....	51	4247831.....	29	452399.....	13, 39
2703810.7.....	51	4112088.....	51	4247832.....	29	452400.....	53, 61, 76
2703855.....	51	4112763.7.....	51	4249610.....	5	452402.....	47
2703883.7.....	16	4112861.....	51	4249612.....	5	452404.....	61, 76
2703884.7.....	16	4113006.....	51	4249613.....	5	452411.....	16, 41
2704073.....	49	4113364.....	51	434016.....	83	452692.....	43, 45
302437.....	35	4114386.....	10	440082.....	51, 53	452695.....	47
304635.....	61	4114566.....	11	441602 59, 65, 69, 83, 85		45300951, 63, 65, 69, 77,	
306379.....	43	4114698.....	53, 95	443102.....	6587, 89, 91	
306463.....	47	4116937.....	51	443106.....	27, 65, 69, 89	453010.....	27
306531.....	43	4117184.7.....	35	443108.....	69	45301113, 61, 65, 69, 71,	
306837.....	77	4117187.7.....	35	44311013, 27, 55, 57, 61,	83, 85, 95	
306981.....	91	4117669.....	35	63, 71, 83, 85, 95		453017.....	71, 83, 89
306990.....	35	4117861G01.....	35	443114.....	71, 91	453023.....	51, 63
306998.....	43	4118003.....	35	443118.....	71, 91	460014.....	51, 53
307665.....	73	4119050.....	96	443810.....	61	460030.....	71
308089.....	47	4119051.....	96	443828.....	73	460054.....	13
309488.....	71	4119056.....	96	444312.....	39, 51	460316.....	71
311396.....	30	4119057.....	96	444708.....	91	463017.....	51, 53
312288.....	35	4119058.....	96	444718.....	63, 77, 91	463021.....	65, 75
316929.....	71	4119059.....	96	444758.....	83	471242.....	55, 57
320107.....	33, 39, 51, 95	4119060.....	96	444762.....	13, 69, 77, 91	500534.....	73
325105.....	59	4119061.....	96	444780.....	73	503372.....	65, 75
325109.....	61	4119630.....	35	445771.....	13	515016.....	83, 85
339897.....	53, 55, 57, 95	4119631.....	35	44578151, 53, 63, 65, 69,		515390.....	83
339898.....	55, 57	4119804.....	9783, 87, 89, 91		516634.....	47

INDEX

517226.....	89	600014.....	27	814924.....	43	832336.....	63
517996.....	85	74411G01.....	16	815087.....	51	832349.....	69
518438.....	71	800037.....	27	815474.....	73	832352.....	69
519874.....	85	800053.....	47	816320.....	73	832360.....	65
520374.....	61	800059.....	47	816697.....	83	832361.....	65
521115.....	73	800073.....	55, 57	816851.....	97	832362.....	65
521144.....	89	800236.....	63	817320.....	87	832369.....	69
521679.....	61, 71	800254.....	55, 57	818962.....	32	832370.....	69
521845.....	85	800263.....	47	819160.....	13	832371.....	69
521905.....	13	800274.....	53	819195.....	43, 45	832372.....	63, 65
522122.....	83, 85	800294.....	30	819337.....	69, 89	832376.....	69
522375.....	13	800296.....	35	820889.....	49	832378.....	69
522553.....	13	800299.....	35	821893.....	49, 51, 53	832385.....	69
522723.....	51, 53, 83	800300.....	65	822049.....	39	832391.....	59
523183.....	69	800339.....	47	822139.....	32	832392.....	59
523224.....	27	800344.....	47	822529.....	71	832401.....	69, 75
523323.....	53	800379.....	81	822867.....	39	832404.....	73
53602.....	5	800380.....	81	823025.....	63	832405.....	65, 69, 85
53603.....	5	800385.....	55, 57	823549.....	49	832406.....	69
53607.....	5	800438.....	91	823621.....	30	832407.....	73
53609.....	5	800477.....	55, 57	825334.....	32	832411.....	73
53721.....	40, 96	800483.....	47	825357.....	33	832412.....	61
53728.....	37, 96	800500.....	91	825500.....	30	832414.....	53
53753.....	5	800511.....	13	825624.....	53	832421.....	65
53765.....	5	800520.....	63	825823.....	47	832422.....	65
53772.....	35	800602.....	43, 45	825886.....	33, 37, 43	832423.....	65
53773.....	5	800629.....	87	826006.....	33, 37, 43	832430.....	63
53781.....	5	800635.....	95	826037.....	43	832438.....	61
53783.....	5	800636.....	81	826558.....	55, 57	832440.....	65, 69, 85
53784.....	5	800637.....	87, 89	826590.....	53	832464.....	73
53786.....	5	800697.....	33	827099.....	71, 73	832466.....	73
53787.....	5	800709.....	91, 95	828378.....	45	832467.....	73
540401.....	83	800710.....	33, 91	828682.....	43	832525.....	61
544799.....	85	800819.....	83	828697.....	47	832533.....	63
545449.....	89	800907.....	95	828819.....	91	832804.....	49
545786.....	51, 53, 83	800930.....	41	829038.....	47	832940.....	63
548128.....	51, 83	800934.....	49	829630.....	15, 39	832974.....	32
548159.....	43, 45	800943.....	35, 49	829631.....	39	833025.....	69
548165.....	61	800961.....	47	830287.....	13	833060.....	91
548173.....	83	800965.....	47	830425.....	45	833089.....	91
548178.....	39, 43	800966.....	47	830650.....	49	833131.....	91
548201.....	85	805860.....	73	830661.....	69	833134.....	91
548204.....	51, 53	807332.....	30	830816.....	53	833157.....	91
548205.....	65	808689.....	51	831300.....	51, 53	833162.....	91
548224.....	85	809156.....	73	832033.....	49	833167.....	91
548462.....	71	809168.....	27	832291.....	61	833237.....	69, 75
548484.....	61	809174.....	55, 57	832294.....	65	833830.....	27
548518.....	91	809229.....	73	832299.....	65	833846.....	49
548855.....	95	809268.....	73	832300.....	63	833857.....	49
548900.....	47	810157.....	13	832306.....	71	833858.....	49
548902.....	87	810386.....	63	832309.....	71	833949.....	49
548912.....	95	810758.....	13	832310.....	71	833985.....	49
548941.....	43, 45	812368.....	61	832312.....	59	834217.....	49
548960.....	83	812893.....	13	832320.....	61	834229.....	33
548973.....	35	813379.....	51	832322.....	61	835071.....	13
553046.....	69, 75	813668.....	32	832334.....	65	835732.....	89

INDEX

835733.....	89	840494.....	16	844778.....	51, 53	887977.....	63
835738.....	85	840851.....	51	844782.....	47	887978.....	63
835740.....	85	840878.....	95	844788.....	49	887980.....	69
835748.....	83	840889.....	73	844789.....	49	887989.....	65, 75
836110.....	89	840890.....	13	844792.....	55, 57	887993.....	65
836206.....	55, 57	840901.....	91	844797.....	61, 76	888002.....	63
836210.....	81	840909.....	51, 63	844798.....	61, 76	888077.....	63
836507.....	83	840913.....	89	844810.....	76	888271.....	61
836557.....	89	840938.....	87	844815.....	33	888406.....	51
836621.....	73	840988.....	61	844827.....	49	888415.....	69
836719.....	73	840990.....	91	844847.....	85	888434.....	91
837105.....	91	841799.....	41	844870.....	39	888436.....	91
837160.....	69	841966.....	57	844889.....	49	888437.....	91
837163.....	69	842213.....	73	844898.....	81	888498.....	91
837258.....	71	842463.....	47	844911.....	49	888532.....	20
837261.....	63	842464.....	47	844925.....	43	888856.....	49
837670.....	39	842758.....	49	844926.....	45	889122.....	13
837960.....	47	843303.....	53	844937.....	53	889124.....	13
838427.....	85	844112.....	43	844938.....	43, 45	889423.....	83
838472.....	55, 57	844113.....	45	844939.....	43, 45	889843.....	73
838495.....	85	844115.....	49	844943.....	53	889844.....	73
838769.....	33	844158.....	53	844944.....	43, 45	889845.....	73
839109.....	83	844159.....	53	844945.....	47	889878.....	73
839112.....	85	844161.....	49	844948.....	95	889895.....	96
839114.....	85	844304.....	51, 53	844973.....	53	889896.....	96
839117.....	87	844305.....	51, 53	844986.....	47	889907.....	96
839118.....	87	844327.....	49	844987.....	47	889908.....	96
839119.....	87	844443.....	47	844988.....	41	889950.....	96
839120.....	87	844560.....	57	845027.....	16	889951.....	96
839125.....	89	844570.....	55, 57	845127.....	49	889983.....	17
839126.....	87	844571.....	55, 57, 95	845275.....	51	889991.....	13
839127.....	87	844586.....	55, 57	845276.....	53	890010.....	18
839128.....	87	844588.....	55, 57	845436.....	91	890116.....	61
839132.....	85	844589.....	55, 57	869030.....	13	890117.....	73
839134.....	87	844590.....	95	869089.....	87	890118.....	73
839135.....	87	844594.....	55, 57	869140.....	83, 85	890120.....	65
839136.....	83	844609.....	55, 57	882574.....	32	890121.....	65
839216.....	63	844618.....	53	882770.....	13	890128.....	63
839275.....	87	844621.....	55, 57	882931.7.....	27	890129.....	63
839556.....	55	844626.....	55, 57	885023.....	91	890130.....	63
839557.....	57	844627.....	53, 55, 57, 95	885927.....	47	890146.....	71
839917.....	33	844629.....	55, 57	885928.....	47	891027.....	13
839918.....	33	844630.....	55, 57	886131.....	43	891376.....	96
839921.....	33	844631.....	55, 57	886497.....	43	891377.....	96
839935.....	33	844639.....	91	886735.....	73	891378.....	96
839971.7.....	27	844640.....	55, 57	887085.....	55, 57	891638.....	96
840012.....	27	844643.....	51	887954.....	71	892019.....	81
840013.....	27	844648.....	53	887958.....	65	892020.....	81
840015.....	27	844649.....	53	887959.....	65	892021.....	81
840016.....	27	844650.....	53	887960.....	71	892023.7.....	81
840020.....	27	844651.....	53	887961.....	61	892028.....	85
840057.....	27	844652.....	55, 57	887963.....	59	892029.....	83
840427.....	77	844668.....	61, 76	887965.....	69	892053.....	83
840428.....	77	844697.....	47	887970.....	61	892207.....	83
840429.....	77	844707.....	47	887972.....	71	892208.....	85
840430.....	77	844777.....	51, 53	887973.....	71	892484.7.....	27

INDEX

892493.....	97	894799.....	47
892530.....	26	894800.....	47
892815.....	97	894801.....	49
893067.....	51	894802.....	47
893088.....	91	894803.....	47
893304.....	96	894805.....	49
893375.10.....	5	894806.....	49
893375.14.....	5	894814.....	33
893375.17.....	5	894815.....	33
893375.2.....	5	894830.....	47
893375.22.....	5	894831.....	47
893375.6.....	5	894846.....	39
893602.....	39	894855.....	39
893632.....	41	895074.....	96
893782.....	83	895118.....	53
894288.....	39	897056.....	13
894473.....	13		
894544.....	49		
894640.....	53, 95		
894651.....	13		
894674.....	55, 57		
894696.....	55, 57		
894698.....	61, 76		
894701.....	53, 76, 95		
894702.....	76, 95		
894723.....	51		
894739.....	43, 45		
894740.....	43		
894741.....	45		
894755.....	5		
894756.....	5		
894757.....	40, 42, 96		
894758.....	40, 44, 96		
894761.....	40, 41, 96		
894765.....	97		
894768.....	36, 96		
894769.....	21		
894778.....	6		
894779.....	7		
894780.....	8		
894783.....	5		
894784.....	5		
894793.....	47		
894794.....	47		
894797.10.....	5		
894797.14.....	5		
894797.17.....	5		
894797.2.....	5		
894797.22.....	5		
894797.6.....	5		
894798.10.....	5		
894798.14.....	5		
894798.17.....	5		
894798.2.....	5		
894798.22.....	5		
894798.6.....	5		

World Class Quality, Performance And Support

Equipment from Jacobsen is built to exacting standards ensured by ISO 9001 and ISO 14001 registration at all of our manufacturing locations.

A worldwide dealer network and factory trained technicians backed by Genuine Jacobsen Parts provide reliable, high-quality product support.



When Performance Matters.™

CUSHMAN JACOBSEN RANSOMES